

SKS

INSTALLATION MANUAL

BUILT-IN REFRIGERATOR

Read this installation manual thoroughly before installing the appliance and keep it handy for reference at all times.

ENGLISH

SKSUD2402P / SKSUW2401P



MFL67410830
Rev.02_061225

www.sksappliances.com

Copyright © 2021-2025 LG Electronics. All Rights Reserved

2

TABLE OF CONTENTS

3 IMPORTANT SAFETY INSTRUCTIONS

3 WARNING

- 3 Installation
- 3 Electrical Connection

4 CAUTION

- 4 General

5 INSTALLATION

5 Before Installation

- 5 Choosing the Install Location
- 5 Anti-tip Devices
- 5 Enclosure
- 5 Floor
- 5 Electrical Requirements
- 6 Grounding
- 6 Cutout Dimensions
- 7 Installation Clearances

8 Required Accessories and Tools

- 8 Accessories
- 8 Tools

9 Product Dimensions

- 9 Product Dimensions
- 11 Custom Panel Dimensions

12 Moving Appliance into Enclosure

- 12 Installing the Anti-tip Brackets
- 13 Protecting Edges of Enclosure
- 13 Installing Appliance in Enclosure

15 Leveling and Securing the Appliance

- 15 Aligning and Leveling the Appliance
- 17 Attaching Appliance to Enclosure
- 18 Attaching the Toe Kick Panel

20 Panels and Trim

- 20 Installing Door Panels
- 22 Adjusting Door Panels
- 22 Installing Door Trim
- 26 Reversing the Door
- 28 Inserting the Link Assembly

IMPORTANT SAFETY INSTRUCTIONS

WARNING

- TIP-OVER HAZARD
 - The appliance is very heavy. If it tips over, it could cause damage, serious injury or death. Do not open the doors or drawers before the appliance is securely installed.
 - Use two or more people to move and install the refrigerator. To prevent the refrigerator from tipping over, install anti-tip brackets (provided). Failure to follow the refrigerator installation instructions can result in serious injury or death.
- To reduce the risk of fire, electric shock, or personal injury when using the product, basic safety precautions should be followed, including the following. Read all instructions before using this appliance.

Installation

- These products are not designed to be used as freestanding units. Doing so will result in a risk of tipover, personal injury, and product or property damage.
- Do not install the refrigerator near a gas stove, water heater or other source of ignition that may possibly leak gas. Do not install product in direct sunlight. Install the product in a well ventilated area.
- Ensure that enclosure dimensions allow for sufficient air circulation at the sides and back of the product. Do not block the front air inlet. Failure to follow these instructions may cause product malfunction.
- Enclosure must be constructed of materials which are strong enough to avoid damage during installation and frequent use.
- Cabinet materials must be able to withstand the heat and humidity produced during product operation and use without twisting or deforming.
- Install the product on a firm, level surface that can support the weight of the product without bending. The product must be level both horizontally and vertically.
- Keep children away from area during installation.
- Do not use an extension cord or power strip with this product.
- Do not install the refrigerator in a damp location or where it will be exposed to running water. Deterioration of the insulation on electrical parts may result, causing risk of electric shock.
- Connect to potable water only. Non-potable water can cause health risks.
- When positioning the appliance, ensure the supply cord is not trapped or damaged.
- Do not locate multiple portable socket-outlets or portable power supplies at the rear of the appliance.

Electrical Connection

- **If connected to a circuit protected by fuses, use time delay fuse.**
- **Use a dedicated outlet.**
 - Plugging several devices into one outlet may cause a fire.
- **Plug in the power plug with the power cord facing downward.**
 - Failure to do so could damage the plug or cord, resulting in fire or electric shock.
- **When installing or moving the refrigerator, be careful not to roll over or damage the power cord. Do not squeeze or crush the cord or plug when pushing the refrigerator in.**
 - Doing so could result in fire or electric shock.
- **Do not allow the power cord to be bent, crushed, or damaged. Do not run the power cord under heavy objects like furniture, other appliances, or through high-traffic areas.**
 - Doing so may damage the power cord and result in fire or electric shock.

4 IMPORTANT SAFETY INSTRUCTIONS

- **Do not extend or modify the length of the power cord.**
 - Use only an exact factory replacement part to avoid electrical issues, fire, or electric shock.
- **Turn off the power before cleaning or moving the refrigerator.**
 - Failure to do so may cause electric shock or injury.
 - Press the POWER button for 3 seconds to turn off the power at the display panel.
- **Do not pull out the cord or touch the power plug with wet hands.**
 - Doing so may cause electric shock or injury.
- **Remove water or dust from the power plug and insert it securely into the wall socket.**
 - Dust, water, or a loose connection may cause a fire or electric shock.
- **Do not unplug the refrigerator by pulling on the cord.**
 - Doing so may cause an electric shock or a short circuit resulting in a fire.
- **Do not use the power cord or the power plug if it is damaged or if the outlet is damaged.**
 - Doing so may cause an electric shock or a short circuit resulting in a fire.
- **Wait for 5 minutes or longer when reconnecting the plug or turning the power back on.**
 - Give the compressor time to cycle before restarting.
- **If the supply cord is damaged, it must be replaced by the manufacturer or its service agent or a similarly qualified person in order to avoid a hazard.**

CAUTION

- **Do not stick your hands under the refrigerator.**
 - Sharp edges, fans, and wires may cause an injury.
- **Save these instructions for the local inspector's use.**
- **Observe all governing codes and ordinances.**
- **Installer: Leave these instructions with the consumer.**
- **Consumer: Keep these instructions with the owner's manual for future reference.**

General

These installation instructions are intended for use by qualified installers. All connections for water, electrical power and grounding must comply with local codes and ordinances and be made by licensed personnel when required. In the absence of a local code:

- In the U.S.A., in accordance with the National Electric Code, ANSI/NFPA70 – latest edition/State and Municipal codes and/or local codes.
- In Canada, in accordance with the Canadian Electric Code C22.1 – latest edition/Provincial and Municipal codes and/or local codes.

SAVE THESE INSTRUCTIONS

INSTALLATION

Before Installation

⚠ WARNING

- Do not store or install the appliance where it will be exposed to:
 - outside weather
 - water damage
 - temperatures under 32 °F (0 °C)

Choosing the Install Location

Temperature and Humidity

- The appliance should be installed in a dry, well ventilated area.
- The ambient temperature should stay between 55 °F (13 °C) and 110 °F (43 °C), to avoid malfunctions.
- Do not install product where it will be exposed to direct sunlight or near a heat source, such as an oven or radiator.

Anti-tip Devices

⚠ WARNING

- Tip Hazard
 - The appliance is very heavy and may tip over if the door is opened before the appliance is securely installed.
 - Install the supplied anti-tip brackets to prevent the appliance from tipping. The safest method of installing the appliance in a stable position is to use the supplied anti-tip devices.
 - Do not open the appliance door unless it is still on the pallet or the anti-tip brackets are engaged.
- If the enclosure is sturdy enough, attaching the appliance to the upper and side walls of the enclosure may provide additional stability, as long as the enclosure is firmly connected to the back wall. If in doubt, contact an architect or structural engineer.

Enclosure

- The entire enclosure, including the top panel, must be made from a solid material (not MDF) and at least 5/8" (16 mm) thick.

- The side walls of the cavity or enclosure must be flush.
- The front 4 inches (100 mm) of the interior surface (furniture return) will be visible when doors are open. Make sure this area is finished to at least 4 inches deep.
- Follow the specifications for the installation enclosure to ensure a trouble free installation.
- Above all, the enclosure cannot be out of square. Use a spirit level or measure the diagonals of the opening to make sure corners are square.
- The appliance is attached at the sides and the top to either the enclosure or to adjacent cabinets. Make sure the enclosure or the adjacent cabinets are securely connected to the floor or wall structures.

Floor

⚠ WARNING

- The floor in the installation area must be firm, level, and rigid for safe installation and best performance.
- Do not install the appliance on a platform or raised structure.
- The structure underneath the appliance must be able to support the weight of the appliance without tilting or flexing.
- For best performance and to avoid leakage, level the appliance.

Electrical Requirements

⚠ WARNING

- Electrical Shock Hazard
 - Plug into a grounded 3-prong outlet.
 - Do not remove ground prong.
 - Do not use an adapter.
 - Do not use an extension cord.
- Failure to follow these instructions can result in death, fire, or electrical shock.
- Follow all state and local codes or NEC.
- The appliance comes with a UL listed 3-wire power supply cord.
- The appliance requires a 3-wire receptacle.

6 INSTALLATION

⚠ WARNING

- The receptacle must be installed by a licensed electrician only.

Grounding

This appliance must be grounded. In the event of a malfunction or breakdown, grounding will reduce the risk of electric shock by providing a path of least resistance for the electric current.

⚠ WARNING

- Improper connection of the equipment grounding conductor may result in electric shock. Have the appliance checked by a qualified electrician or service technician if you are in doubt as to whether the appliance has been properly grounded.

NOTE

- Some local regulations may require a separate ground. In such cases, the required ground wire, clamp and screw are available as a separate accessory and must be purchased separately.
- Never ground the appliance to plastic plumbing lines, gas lines or water pipes.

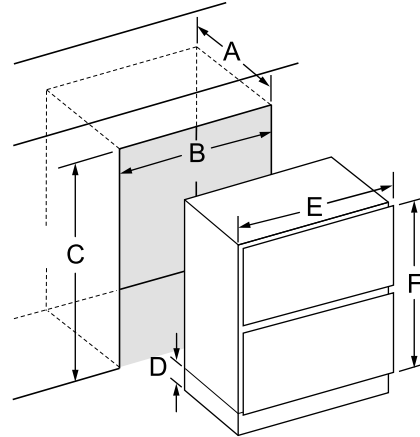
Cutout Dimensions

⚠ CAUTION

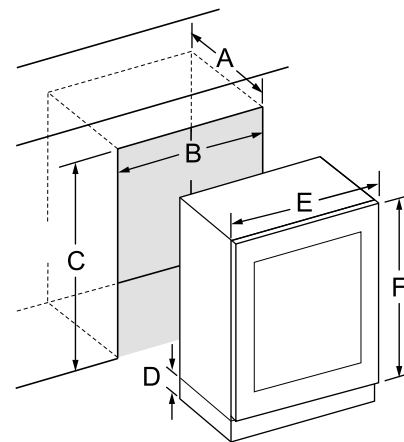
- The anti-tip bracket should be firmly fixed to a concrete wall/wood with strength of 15 t or greater, or a wall with equivalent strength. (The structure where the bracket is fixed should be a solid structure that can withstand a force of 70 kgf or greater.)
- Before installing the appliance, make sure that the enclosure is the correct size. For the appliance to operate properly, the notch in the

bottom front plate must be aligned with the center of the appliance.

SKSUD2402P



SKSUW2401P



-	SKSUD2402P	SKSUW2401P
A	≥24" (610 mm)	
B	≥24" (610 mm)	
C	≥34 1/2" (876 mm)	
D	4" (101 mm)	
E	23 11/16" (602 mm)	
F	30 5/16" (770 mm)	

- A minimum 4" (101 mm) finished return that matches the cabinet exterior is recommended on all sides and at the top of the cutout opening. The shaded area will be visible after installation.

Electrical

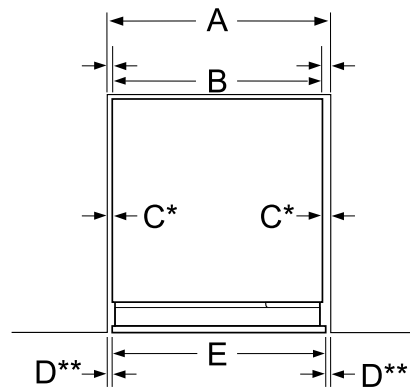
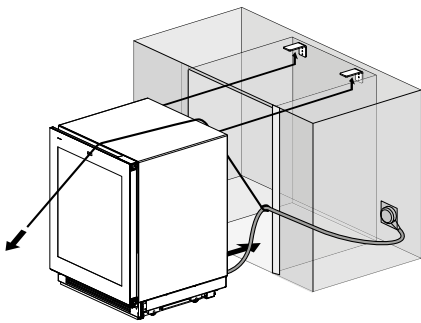
- A 115 V, 60 Hz, 15 amp power supply is required. An individual, properly grounded branch circuit or circuit breaker is recommended. Install a properly grounded 3-prong electrical receptacle recessed into the back wall. Electrical must be located on rear wall as shown.
- When installing a single product, use a single outlet.

NOTE

- GFCI (ground fault circuit interrupter) is not recommended.

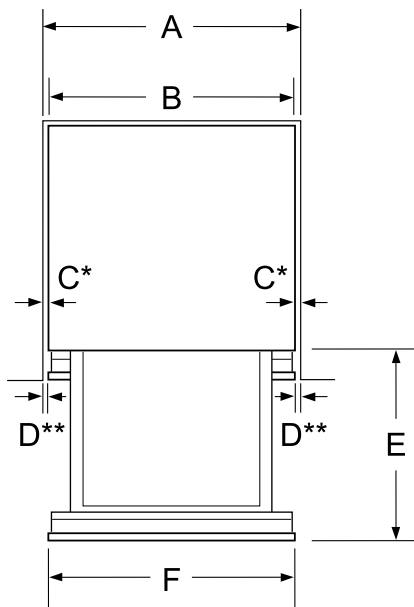
-	Dimensions and Clearances
A	≥24" (610 mm)
B	23 7/16" (595 mm)
C	5/16" (7.5 mm) min.
D	3/16" (4 mm)
E	18" (457 mm) with panel
F	23 11/16" (602 mm) with panel

Model: SKSUW2401P



Installation Clearances

Model: SKSUD2402P



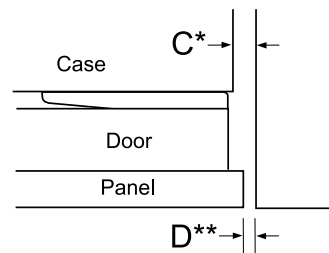
* Side clearance at cabinet

** Side clearance at front panel

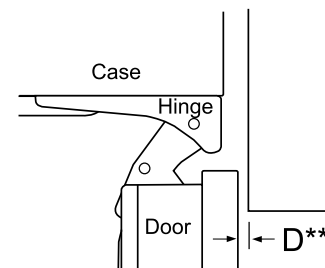
* Right hand hinge installation shown. When reversing the door, the hinge and handle side clearances also reverse.

** Side clearance at front panel

Top View (Door Closed)

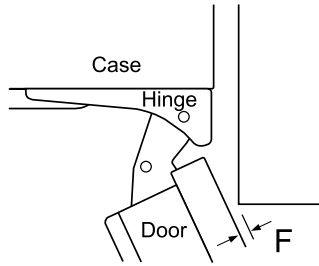


Top View (Door Open 90°)



8 INSTALLATION

Top View (Door Open 115°)



-	Dimensions and Clearances
A	≥24" (610 mm)
B	23 7/16" (595 mm)
C	Handle Side 1/8" (2.5 mm) min. Hinge Side 1/2" (12.5 mm) min.
D	3/16" (4 mm)
E	23 11/16" (602 mm) with panel
F	1/4" (6.5 mm)

NOTE

- Door Swing Clearances
 - The installation must allow for clearances to adjacent walls or cabinets. This wine refrigerator is equipped with a 2-position door stop. The factory-set 115° door swing can be adjusted to 90° if clearance to adjacent cabinets or walls is restricted.
- Door Handle Clearances
 - The door handle depth must be added to the dimension as noted to determine the total clearances required from adjacent cabinets or walls. This clearance will vary depending on the custom handle used. When using the Stainless Steel Door Panel Kit w/ Stainless Steel Handle, the door handle clearance with door open 115° is 11 3/4" (298 mm).

Required Accessories and Tools

Accessories

Supplied Accessories

- Installation instructions
- Operating instructions
- Installation kit

Screw	Size	No.	Used for
A Type	5H x 45L	6	Anti-tip bracket
B Type	4D x 14L	10	Anti-tip bracket (6) Enclosure (4)
C-1 Type	4D x 6L	4	Enclosure
C-2 Type	4D x 12L	12	Door panel

NOTE



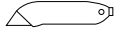
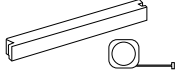
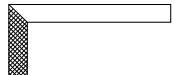
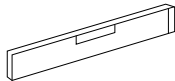
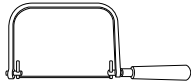
- In addition to the quantity required for installing the appliance, spare screws may be provided.

Other

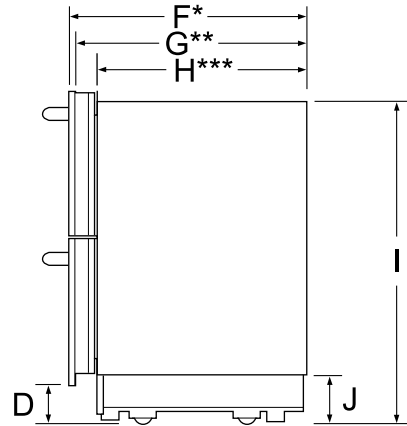
- Dolly, hand truck
- Drill for drilling holes in wall or floor.
- Drill bits in various sizes and suitable for materials
- Wood screws in different sizes
- Thin plywood sheet, particle board or cardboard to protect the floor from damage
- Suitable material for covering and protecting furniture (e.g. protective sheets)
- Adhesive tape

Tools

	Cordless screwdriver
	Torx bit T20, T30 and magnetic holder
	Torx screwdriver T20, T30
	3/8" (10 mm) hex nut driver
	Various drill bits

	Multigrip pliers
	Adjustable wrench
	Cutter with adjustable blade
	Metal tape measure, folding rule
	Square
	Level, length 2" (60 cm) and 4' (1.2 m)
	Saw to cut top trim pieces (for retrofit installation only)

• Side View



- * Depth with 3/4" (19 mm) drawer panel
- ** Depth with drawers (no panel)
- *** Unit depth without drawers

Product Dimensions

The following installation instructions describe the installation steps for various appliance types.

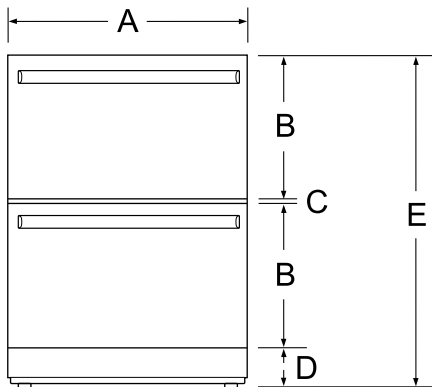
The diagrams may be a general representation of your appliance.

Particular reference is made to special installation steps for individual appliance types.

Product Dimensions

Model: SKSUD2402P

• Front View

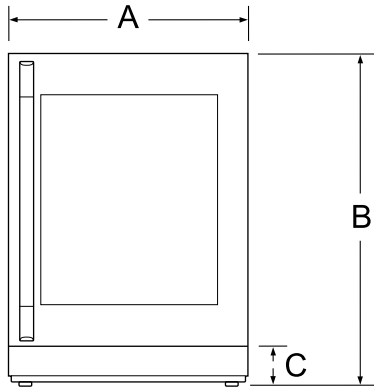


-	Dimensions
A	23 11/16" (602 mm) with panel 23 7/16" (595 mm) without panel
B	15" (381 mm)
C	1/4" (7 mm)
D	4" (101 mm)
E	34 1/4" (870 mm) min. 34 5/8" (880 mm) max.
F	23 1/4" (590 mm)
G	22 1/2" (571 mm)
H	20 1/2" (520 mm)
I	33 3/16" (843 mm) min. 33 9/16" (853 mm) max.
J	5" (128 mm)

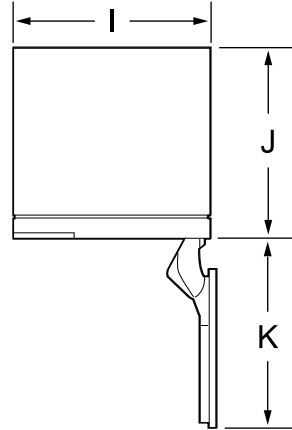
10 INSTALLATION

Model: SKSUW2401P

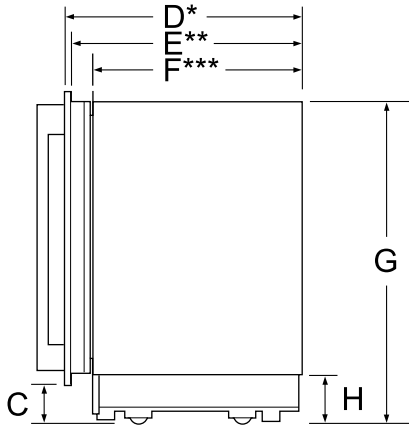
• Front View



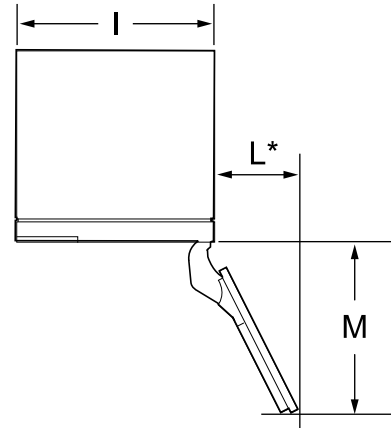
• Top View (Door Open 90°)



• Side View



• Top View (Door Open 115°)

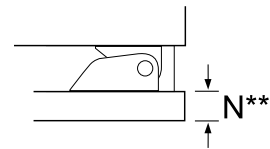


* Depth with 3/4" (19 mm) drawer panel

** Depth with door (no panel)

*** Unit depth without door

-	Dimensions
A	23 11/16" (602 mm) with panel
B	34 1/4" (870 mm) min. 34 5/8" (880 mm) max.
C	4" (101 mm)
D	23 5/8" (600 mm)
E	22 7/8" (581 mm)
F	20 7/8" (530 mm)
G	33 3/16" (843 mm) min. 33 9/16" (853 mm) max.
H	5" (128 mm)



* Door handle must be added to this dimension.

** Varies depending on the thickness of the custom cabinet panel. The door panels in the optional SKS stainless steel door panel kit are 3/4" (19 mm) thick.

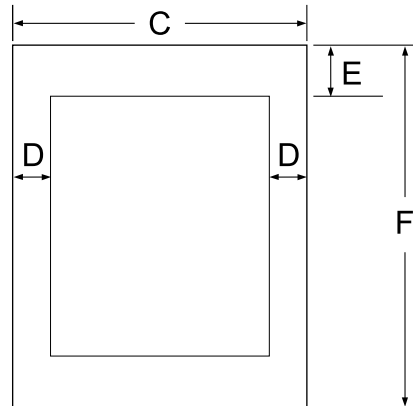
-	Dimensions
I	23 7/16" (595 mm)
J	20 7/8" (530 mm)
K	26 1/8" (663 mm)
L	10 1/2" (266 mm)
M	24 3/8" (620 mm)

-	Dimensions
N	3/4" (19 mm)

NOTE

- This unit is designed to be customized with a decorative panel. A field-installed custom door panel or an optional Stainless Steel Panel Kit is required.
- **For Custom Panels:** Use templates provided with units to pre-drill holes for mounting panel brackets (provided with unit). Adjustment screws and instructions are also provided with units.

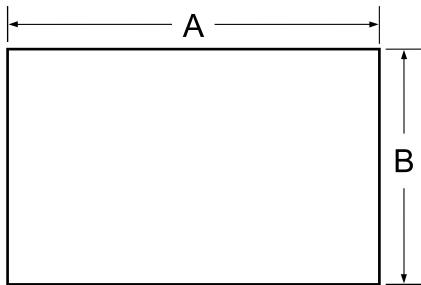
- 24-inch built-in undercounter wine refrigerator



Custom Panel Dimensions

3/4" (19 mm) Custom panel dimensions – Flush installation

- 24-inch undercounter convertible drawer refrigerator



-	Dimensions
A	23 11/16" (602 mm)
B	15" (381 mm)

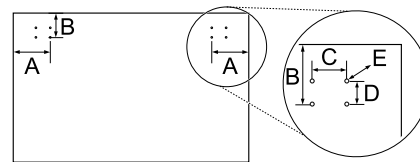
NOTE

- The custom panel dimensions are the same for the upper and lower drawers.

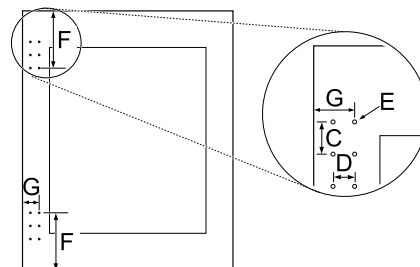
-	Dimensions
C	23 1/16" (602 mm)
D	3 11/32" (84.9 mm)
E	4 15/16" (124.9 mm)
F	30 9/32" (769 mm)

SKS door handle installation dimensions of custom panel

- 24-inch undercounter convertible drawer refrigerator



- 24-inch built-in undercounter wine refrigerator



12 INSTALLATION

-	Dimensions
A	3 3/4" (94.5 mm)
B	2 7/16" (62.4 mm)
C	1 7/16" (37 mm)
D	15/16" (24.4 mm)
E	Φ 3/16" (4.8 mm)
F	7" (178 mm)
G	1 1/4" (57.9 mm)

Optional Accessories

- **SKSUK240DS - Stainless Steel Panel and Handle Kit for 24-inch Undercounter Drawer Refrigerator**

- This unit can be installed with an optional Stainless Steel Panel Kit. Kit includes two drawer panels and two handles.

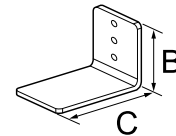
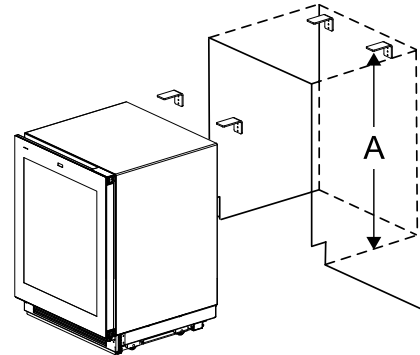
- **SKSUK240WS - Stainless Steel Panel and Handle Kit for 24-inch Undercounter Wine Refrigerator**

- This unit can be installed with an optional Stainless Steel Panel Kit. Kit includes door panel and handle.

- **SKSHK230HS - Handles for use with custom panel**

- 22 3/4" (578 mm) medium brushed aluminum handle

Install the anti-tip brackets at the rear of the enclosure, locating the brackets based on stud locations and product and enclosure dimensions.



Anti-Tip Bracket x 2

-	Dimensions
A	33 3/16" (843 mm) min. 33 9/16" (853 mm) max.
B	2 3/8" (60 mm)
C	3 3/4" (90 mm)

NOTE

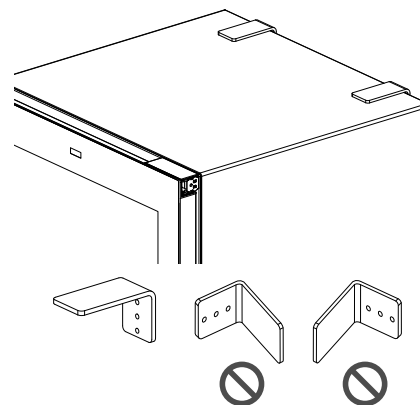
- Brackets must be attached as shown below. The brackets could fail to prevent tipover of the unit if installed in an alternate orientation.

Moving Appliance into Enclosure

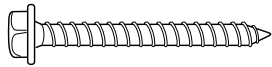
Installing the Anti-tip Brackets

⚠ WARNING

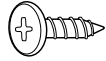
- To avoid injury or damage, check for electrical wires or plumbing in walls before drilling or installing screws.
- The anti-tip bracket should be firmly fixed to a concrete wall/wood with strength of 15 t or greater, or a wall with equivalent strength. (The structure where the bracket is fixed should be a solid structure that can withstand a force of 70 kgf or greater.)



- Use A type or B type screws. (Recommended: Concrete wall → A Type, Wood wall → B Type)



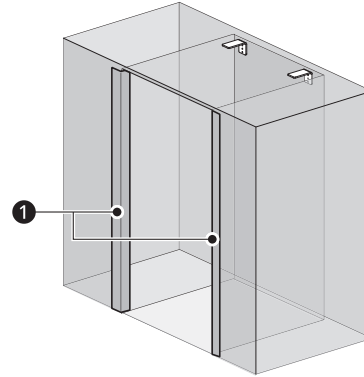
A Type



B Type

Protecting Edges of Enclosure

To protect the front edges of the enclosure, tape thin cardboard or some other protective material around the edges.



- ① Protective cover

Installing Appliance in Enclosure

⚠ WARNING

- Use 2 or more people when installing the appliance. Take care when moving the appliance. It is very heavy and prone to tipping when not secured.

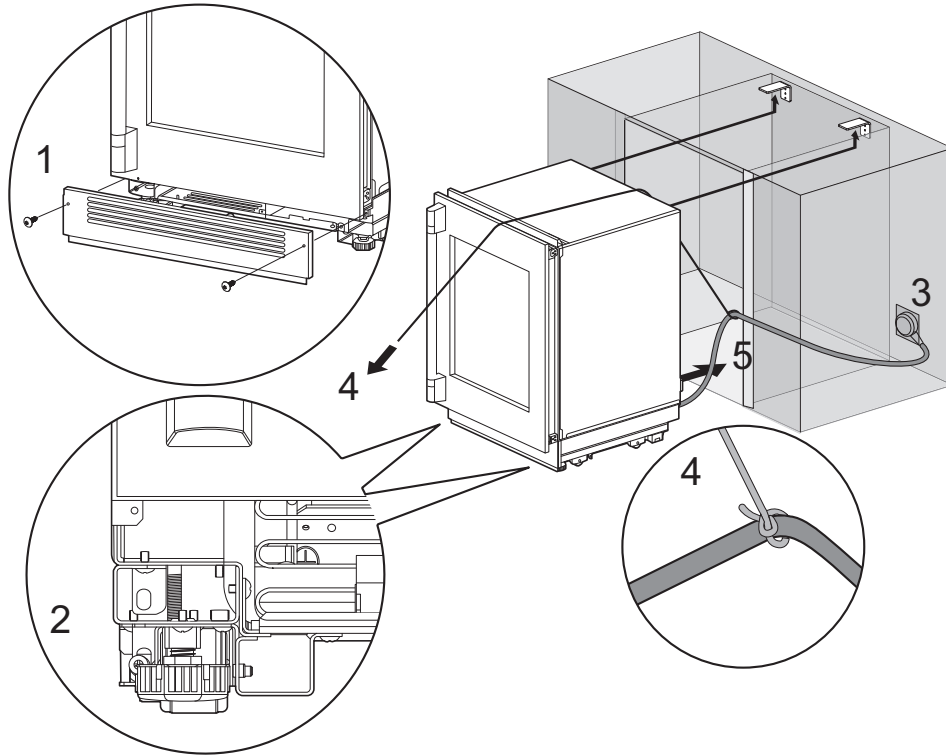
⚠ CAUTION

- Take care to avoid damaging the water line or power cord when moving the appliance into the enclosure.
- Before moving the unit into position, secure the door/drawers closed and protect any finished flooring.
- Use an appliance dolly to move the unit near the opening.
- The front leveling legs are extended below the front rollers to improve stability during placement. Once the unit is placed in front of the opening, completely retract the front leveling legs to allow the unit to be rolled into position. Front and rear leveling legs can be adjusted from the front once the unit is positioned.
- If the unit has been on its back or side, it must stand upright for a minimum of 24 hours before turning on the power.

14 INSTALLATION

⚠ CAUTION

- After the appliance is rolled into position, verify that the anti-tip brackets are properly engaged.

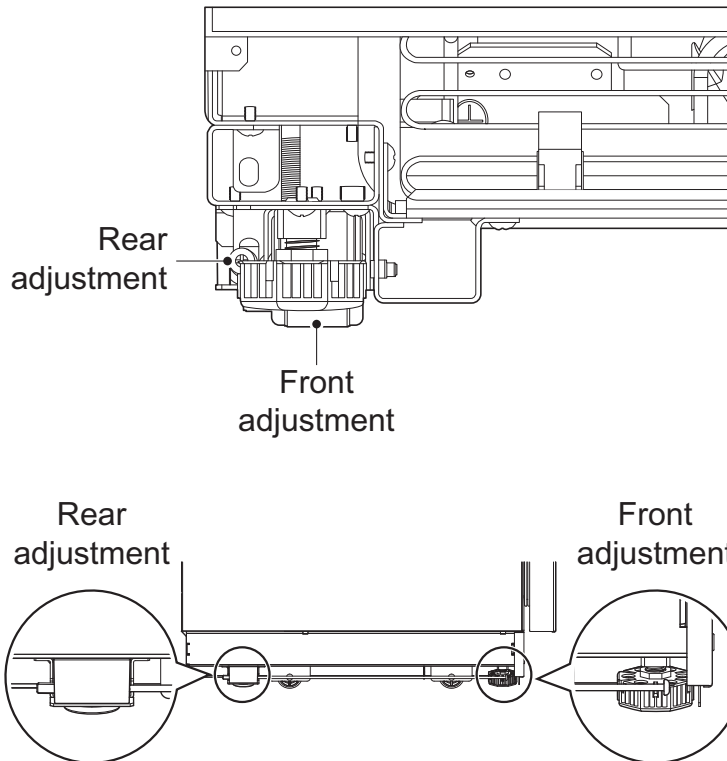


- 1** Remove the base panel.
- 2** Retract the leveling legs so the appliance can be wheeled forward.
- 3** Plug the power cord into the outlet.
- 4** Tie a long string around the middle of the power cord. Feed the string over the top of the appliance, pull it until the power cord is held high off the ground, then tape the string to the front of the appliance to hold the power cord off the ground. Do not pinch or strain the power cord. Make sure it is still plugged in.
- 5** Carefully move the appliance into the enclosure, making sure not to pinch the power cord or water line under or behind the appliance.
- 6** Remove the string from the power cord and the edge protection on the enclosure.

Leveling and Securing the Appliance

Aligning and Leveling the Appliance

- Depth Adjustment
 - Adjust the depth of the unit in the enclosure so the door panels will fit flush with the surrounding cabinetry. Use the gauge tool provided for a precise fit.
- Height Adjustment
 - The front and rear leveling legs can both be adjusted from the front.



- Leveling
 - Once the appliance is aligned properly in the enclosure, level it using the front and rear leveling legs.

1 Use a Phillips screwdriver and wrench to extend the front and rear leveling legs until they are in firm contact with the floor.



2 Turn the screws as shown above to raise the appliance. Turn the screws in the opposite direction to lower the appliance.

3 Make sure the weight of the refrigerator is carried on the legs, not the wheels.

16 INSTALLATION

- 4 Use a smartphone leveling app or place a carpenter's level on the top and sides of the appliance to check that it is level and plumb. Or use the provided gauge tool to measure the distance of the bottom edge of the appliance from the floor at the front corners.

WARNING

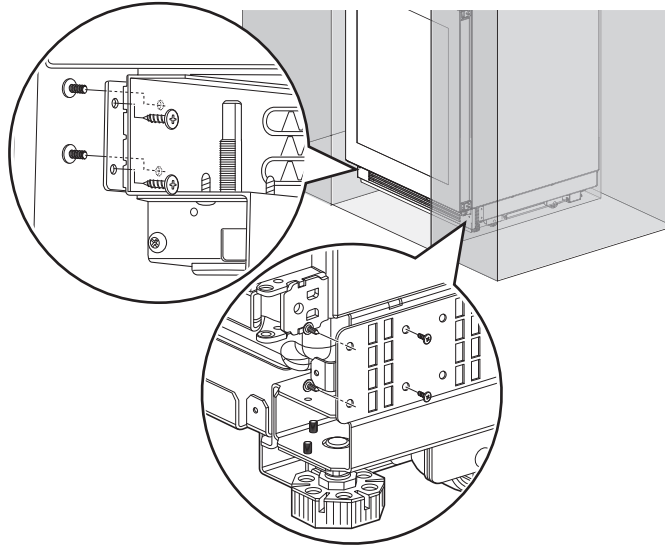
- To reduce the possibility of the unit tipping forward, the front leveling legs must be in contact with the floor.
-

CAUTION

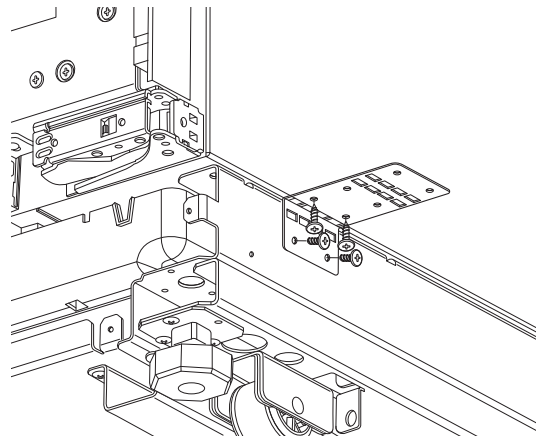
- If using a power drill, use the lowest torque setting.
 - Leave at least 3/8 inch (10 mm) between the top front of the appliance and the top of the enclosure to fit the top filler strip.
 - Do not exceed 20 inch-pounds (2.25 Nm) of torque.
 - 20 revolutions equal 1/16" (2 mm) of height adjustment.
-

Attaching Appliance to Enclosure

- Tighten the side fixing bracket to the bottom left and right sides of the cabinet using the B type and C-1 type screws.
- Use the B type screw to fix the bracket to the cabinet and use the C-1 type screw to attach the bracket to the appliance.



- If there is not enough space to tighten the screw on the side by the baseboard, attach the bracket to the bottom of the adjoining cabinet.

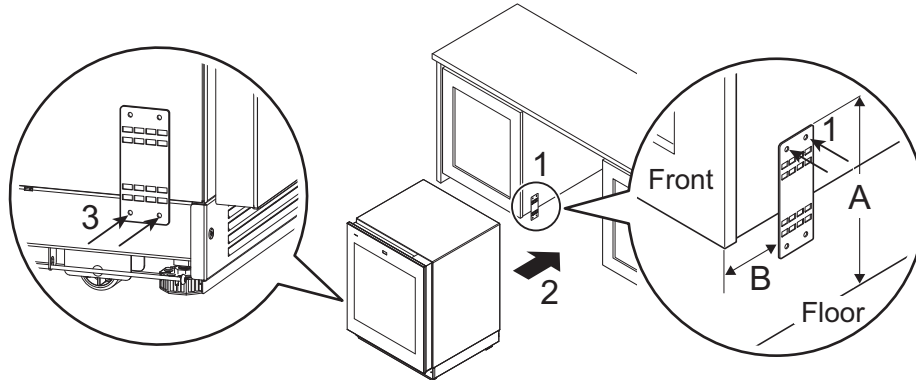


• If the mounting bracket is attached to the cabinet first:

- 1** Attach the bracket to the cabinet using a B type screw.
- 2** Insert the appliance, level the appliance with the adjoining cabinet, and secure the appliance by extending the front and rear legs.

18 INSTALLATION

- After securing the appliance, attach the bracket to the refrigerator using a C-1 type screw.

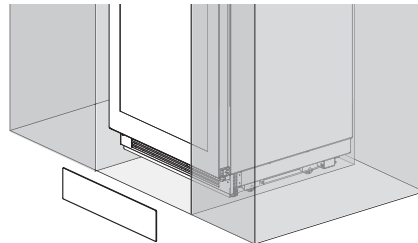


-	Dimensions
A	6 11/16" (170 mm)
B	5 5/16" (135 mm)

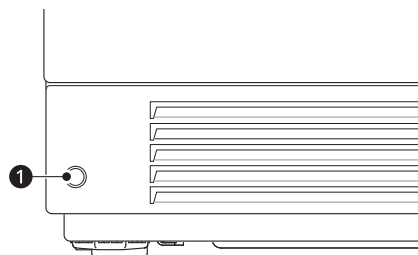
Attaching the Toe Kick Panel

⚠ CAUTION

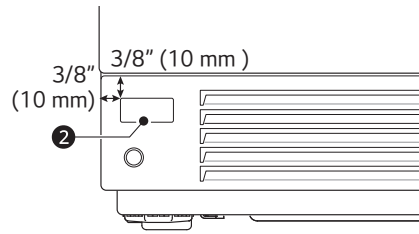
- Do not close the air vent in the bottom cover of the appliance.



- Use a screw ① to attach the bottom cover to the appliance.

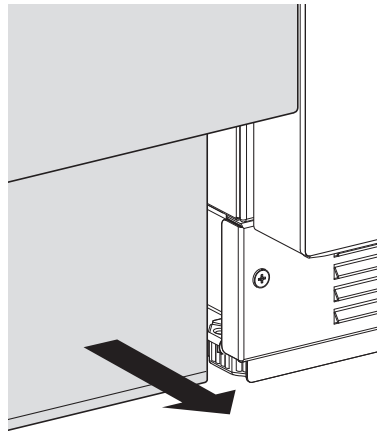


- Attach the Smart Diagnosis label ② in the location shown.

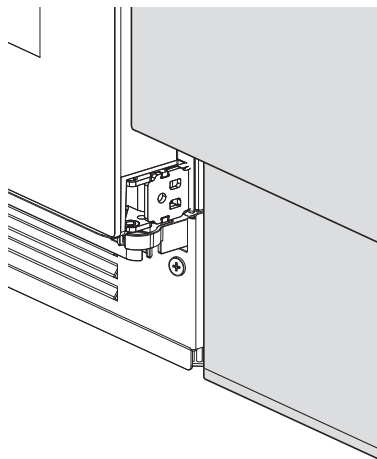


NOTE

- The Wi-Fi transmission and reception unit is located on the baseboard, so the reception may depend on the baseboard material.
- Finishing the baseboard installation
 - If the position (depth from the front) of the cabinet baseboard is different from the position of the appliance baseboard, adjust the cabinet baseboard so that it is aligned with the position of the appliance baseboard.
- To adjust the baseboard
 - Pull the cabinet baseboard forward and align it with the refrigerator baseboard.



- After adjusting the baseboard



20 INSTALLATION

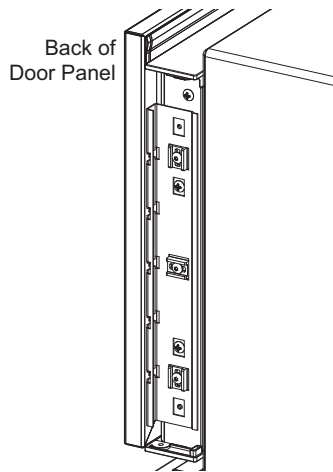
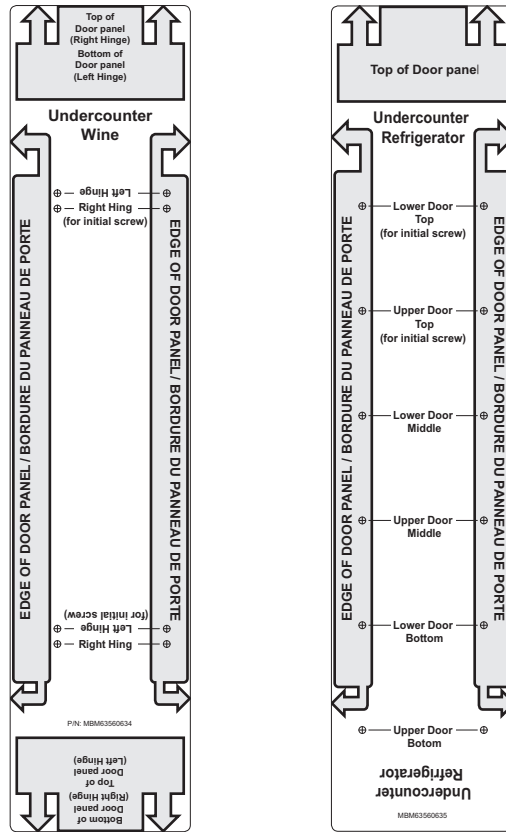
Panels and Trim

Installing Door Panels

The door panel should be installed first, followed by the upper then lower drawer panels, if needed.

- 1** Place the door panel face down on a protected surface.
- 2** Locate the correct side of the door panel template for your product and position the template flush with the top and left sides of the panel.
- 3** Use the template to mark the correct screw locations on the back of the panel.
- 4** Slide the template to the right so it is flush with the top and right sides of the panel.
- 5** Use the template to mark the correct screw locations on the back of the panel.
- 6** On refrigerator/freezer columns, begin inserting a #8 x 1/2" screw into the fifth hole from the top on each side. On wine columns, use the third hole from the top. Stop when the screws are 3/16" (4 mm) proud of the panel. These will be the support screws during the panel installation.

- 7 Insert the support screws in the slotted holes on the appliance door mounting brackets so that the panel is hanging on the door.



Mounting door panel

CAUTION

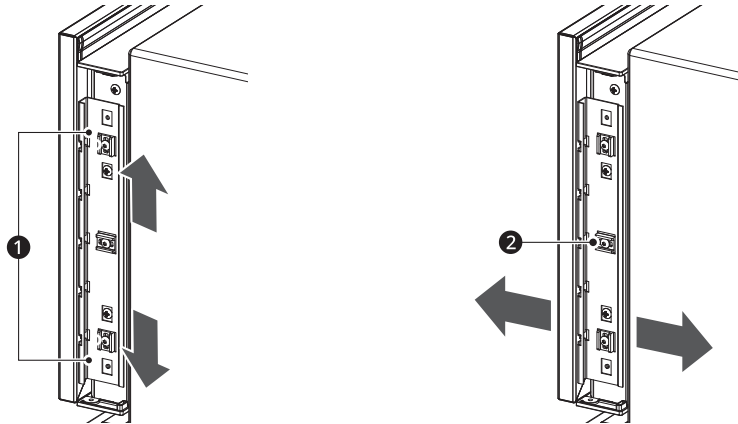
- Beware of pinch points when installing door panels or opening and closing doors.

22 INSTALLATION

Adjusting Door Panels

Fine adjustments can now be made to align the door panels.

- 1 To adjust the door panel horizontally, slide the panel support screws left or right in the slotted holes as desired. Have an assistant hold the panel in place while you tighten the support screws and insert and tighten all remaining mounting screws.
- 2 To adjust the door panel vertically or back and forward, loosen the screws in the appliance door bracket. Move the plastic rails to make adjustments as desired. Have an assistant hold the bracket in place while you tighten all the bracket screws.

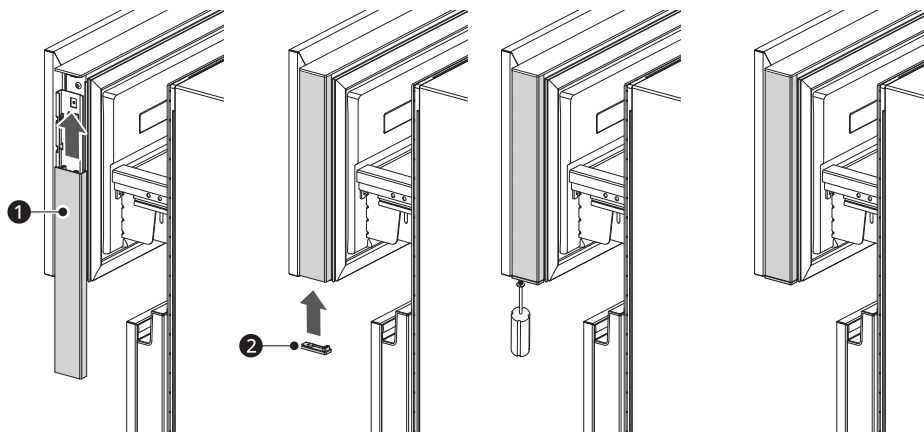


- 1 Up and down adjustment
- 2 In and out adjustment

Installing Door Trim

Model: SKSUD2402P

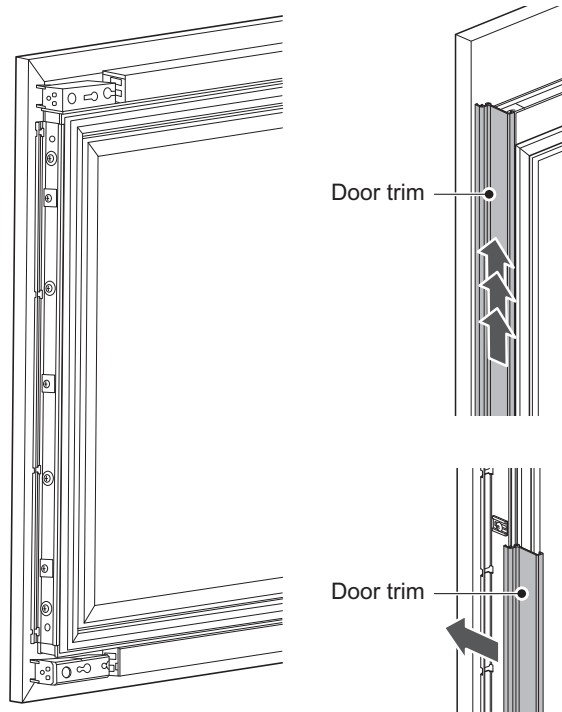
- After panels have been adjusted, install the decorative side trim on the doors.
- Install the door trim before tightening the cover using the provided screws.



- 1 Door trim
- 2 Cover

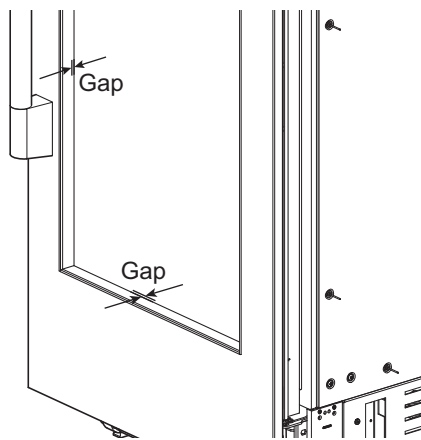
Model: SKSUW2401P

- After panels have been adjusted, install the decorative side trim on the doors.
- To install, start at the middle and align the trim with the front and rear flanges on the bracket, then snap into place by pushing the trim toward the back of the panel. Once the middle is secure, continue the installation upward until the remaining trim is completely secure.



NOTE

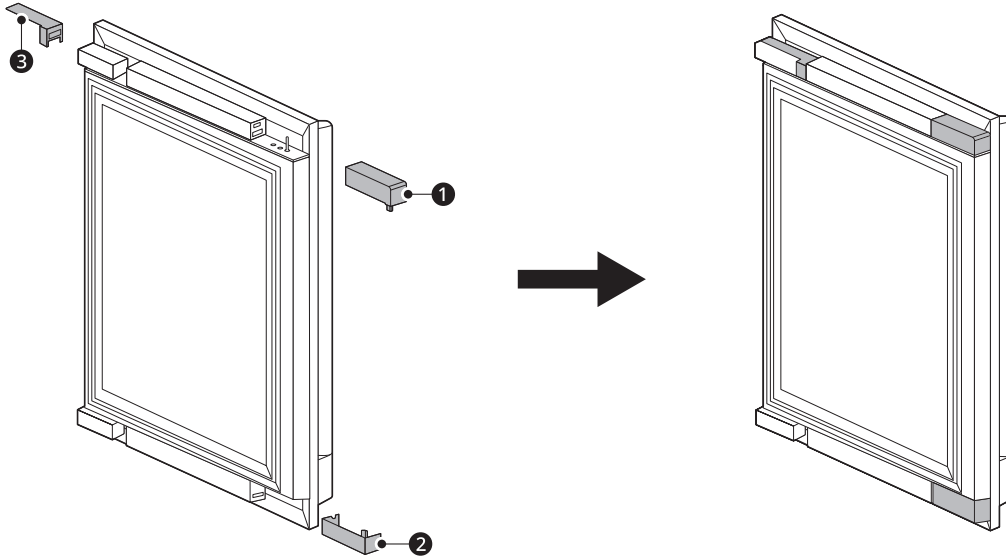
- When adjusting the wine door panel, there will be a small gap between the surface of the glass door and the plastic panel flange. This is normal.



24 INSTALLATION

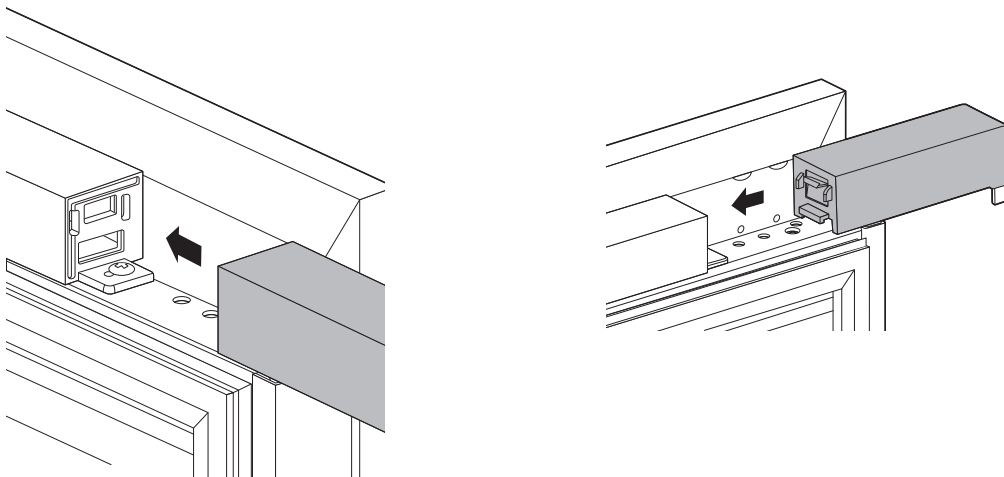
Installing the Upper and Lower Door Trim (Finish) on the Wine Model Doors

- Installing the right hinge
 - Insert trim (finish) ❶ and ❸ on the left and right side of the upper cap décor and trim (finish) ❷ on the left side of the lower cap décor and secure it.



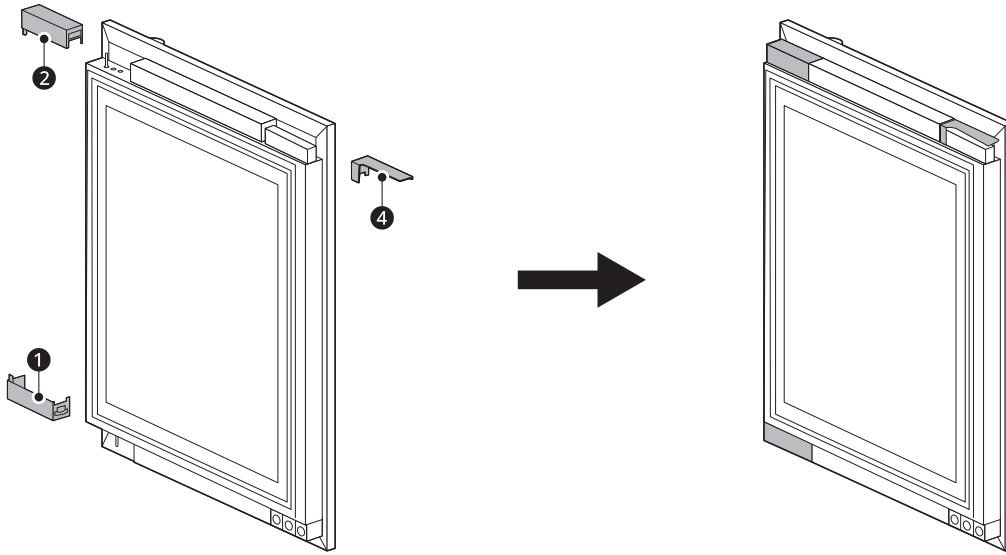
NOTE

- Insertion direction for trim

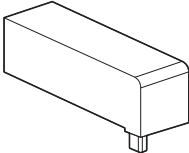
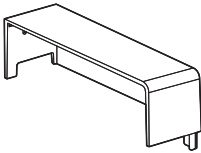
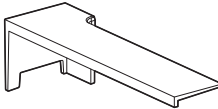
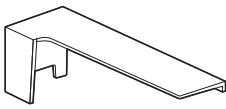


• Installing the left hinge

- Insert trim (finish) ② and ④ on the left and right side of the upper cap décor and trim (finish) ① on the right side of the lower cap décor and secure it.



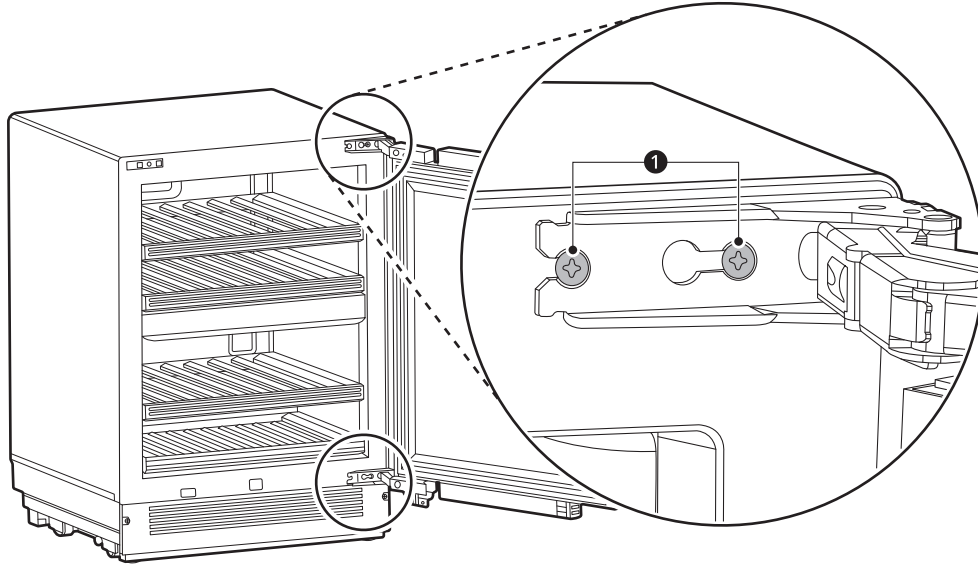
ENGLISH

Trim ①	Trim ②	Trim ③	Trim ④
			

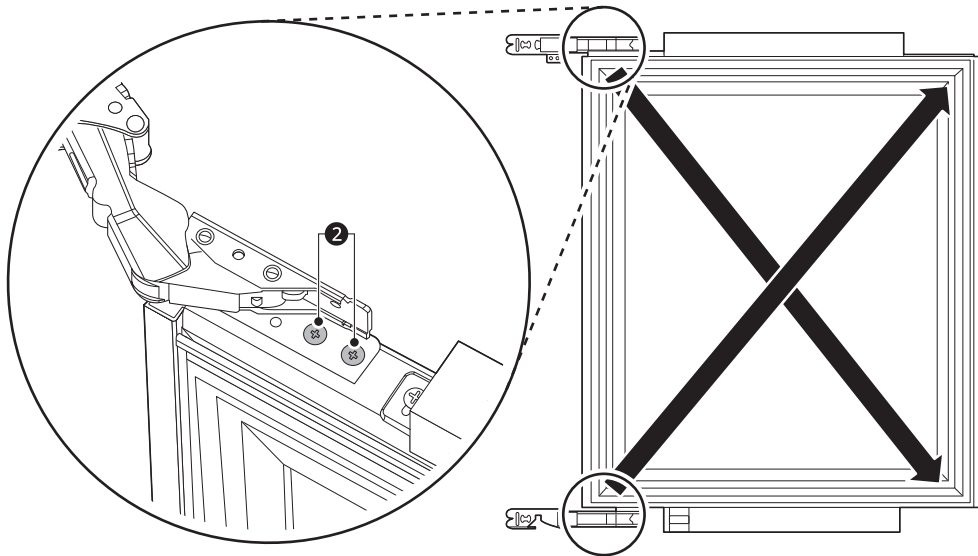
26 INSTALLATION

Reversing the Door

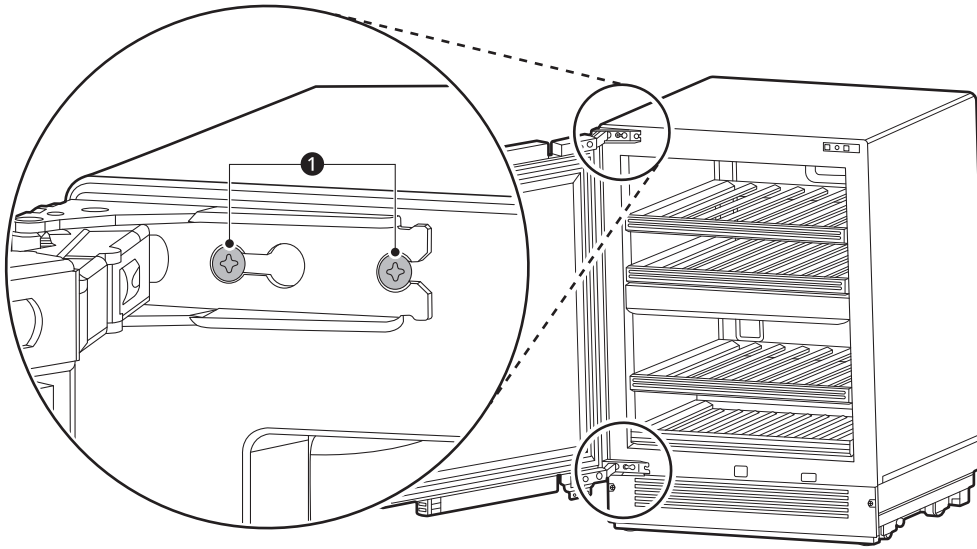
- 1 Remove the 2 mounting bolts ❶ at the top and bottom of the door. Remove the door and lay it aside on a protected surface.



- 2 On the door, remove 2 bolts ❷ from the top hinge and install the hinge on the opposite side at the bottom of the door. On the door, remove 2 bolts ❷ from the bottom hinge and install the hinge on the opposite side at the top of the door.



- 3 Insert 2 bolts ❶ at the top and bottom of the door to reattach the door.

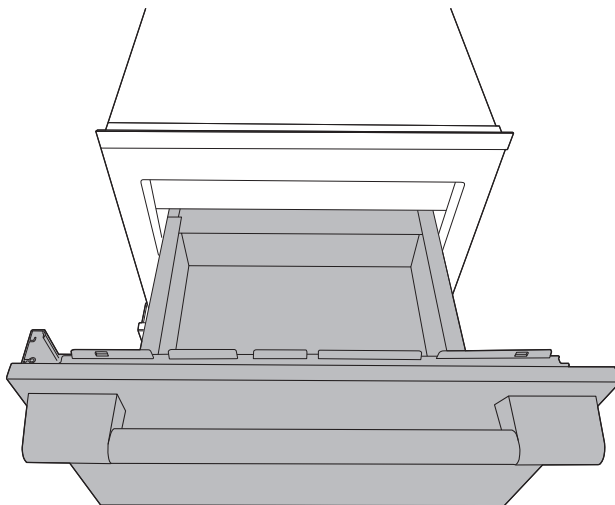


28 INSTALLATION

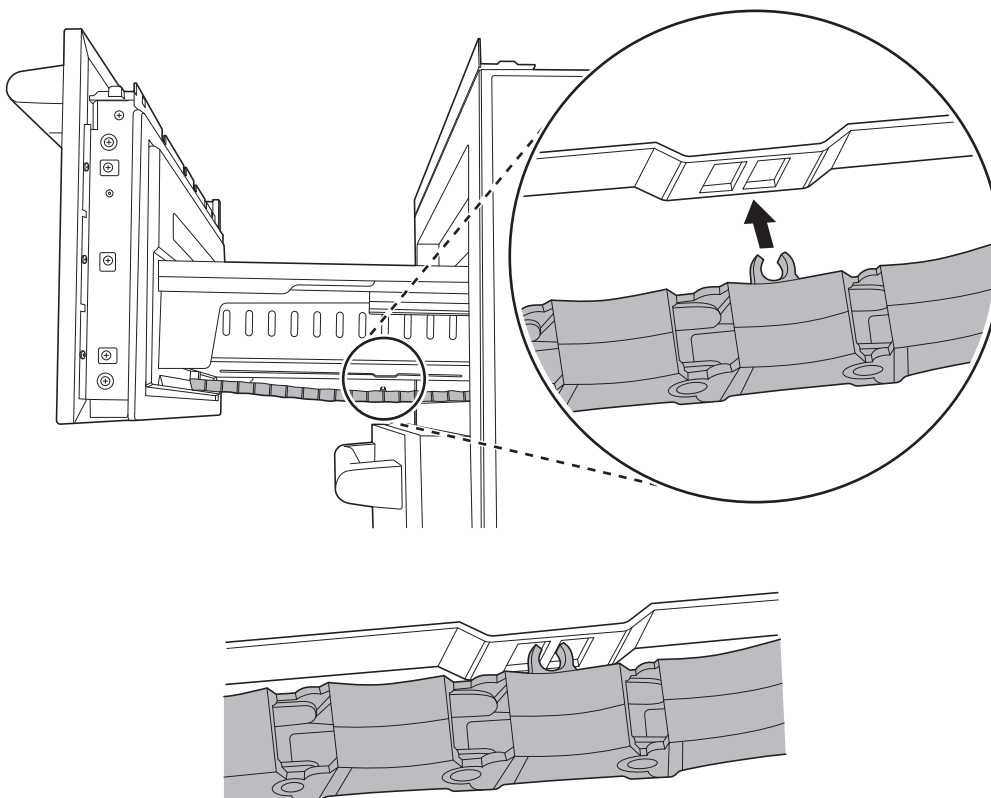
Inserting the Link Assembly

Model: SKSUD2402P

- 1 After installation, open the upper drawer and check that the link assembly at the bottom of the drawer is inserted.



- 2 If the link assembly is not inserted, insert it at the bottom of the drawer.



SKS

MANUAL DE INSTALACIÓN

REFRIGERADOR INCORPORADO

Lea detenidamente el manual de instalación antes de instalar el aparato y consérvelo a mano en todo momento para su referencia.

ESPAÑOL

SKSUD2402P / SKSUW2401P

www.sksappliances.com

Copyright © 2021-2025 LG Electronics. Todos los derechos reservados

2

ÍNDICE

3 INSTRUCCIONES IMPORTANTES DE SEGURIDAD

3 ADVERTENCIA

- 3 Instalación
- 3 Conexión eléctrica

4 PRECAUCIÓN

- 4 Aspectos generales

6 INSTALACIÓN

6 Antes de la instalación

- 6 Elección del sitio para la instalación
- 6 Dispositivos antivuelco
- 6 Estructura de los gabinetes
- 6 Piso
- 6 Requisitos eléctricos
- 7 Conexión a tierra
- 7 Dimensiones de la abertura
- 8 Espacios libres en la instalación

9 Herramientas y accesorios necesarios

- 9 Accesorios suministrados
- 10 Herramientas

10 Dimensiones del producto

- 10 Dimensiones del producto
- 12 Dimensiones del panel personalizado

13 Traslado del aparato

- 13 Instalación de los soportes antivuelco
- 14 Protección de los bordes de la estructura
- 14 Instalación del electrodoméstico en la estructura

16 Nivelación y sujeción del aparato

- 16 Alineación y nivelación del aparato
- 18 Cómo fijar el aparato a la estructura
- 19 Cómo fijar el panel del zócalo

21 Paneles y molduras

- 21 Instalación de los paneles de la puerta
- 23 Ajuste de los paneles de la puerta
- 23 Instalación de las molduras de la puerta
- 27 Inversión del sentido de apertura de la puerta
- 29 Inserción del conjunto del enlace

INSTRUCCIONES IMPORTANTES DE SEGURIDAD

ADVERTENCIA

- PELIGRO DE VUELCO
 - El aparato es muy pesado. Si se volcara, podría causar daños, lesiones graves o incluso la muerte. No abra las puertas ni los cajones antes de que el aparato esté bien instalado.
 - Se necesitan dos o más personas para mover e instalar el refrigerador. Para evitar que el refrigerador se vuelque, instale los soportes antivuelco (suministrados). No seguir las instrucciones de instalación del refrigerador puede provocar lesiones graves o la muerte.
- Para reducir el riesgo de incendio, descarga eléctrica o lesiones personales al usar este producto, se deben seguir las precauciones básicas de seguridad, incluidas las siguientes. Lea todas las instrucciones antes de usar este aparato.

Instalación

- Estos productos no están diseñados para ser utilizados como unidades independientes. Si los emplea como unidades independientes, se corre riesgo de vuelco, lesiones personales y daños al producto o la propiedad.
- No instale el refrigerador cerca de una cocina o calentador de agua que funcionen con gas, ni cerca de otra fuente de ignición que pueda causar fugas de gas. No instale el producto expuesto a la luz solar directa. Instale el producto en un área bien ventilada.
- Asegúrese de que las dimensiones de la estructura de los gabinetes permitan una circulación de aire suficiente en los lados y en la parte posterior del producto. No bloquee la entrada de aire frontal. El incumplimiento de estas instrucciones puede causar un mal funcionamiento del producto.
- La estructura de los gabinetes debe estar construida con materiales lo suficientemente resistentes como para evitar daños durante la instalación y el uso frecuente.
- Los materiales del gabinete deben poder soportar el calor y la humedad que se producen durante la operación y el uso del producto sin sufrir retorcimientos ni deformaciones.
- Instale el producto en una superficie firme y nivelada que pueda soportar el peso del producto sin doblarse. El producto debe quedar nivelado horizontal y verticalmente.
- Mantenga a los niños alejados del área durante la instalación.
- No utilice un cable de extensión ni una regleta multicontactos con este producto.
- No instale el refrigerador en un lugar húmedo o donde quede expuesto al agua corriente. Puede producirse deterioro del aislamiento de las piezas eléctricas, lo cual, a su vez, puede provocar riesgos de descarga eléctrica.
- Conéctelo solo a agua potable. El agua no potable puede causar riesgos para la salud.
- Al colocar el electrodoméstico, asegúrese de que el cable de alimentación no quede atrapado ni se dañe.
- No coloque varias tomas de corriente portátiles o fuentes de alimentación portátiles en la parte trasera del electrodoméstico.

Conexión eléctrica

- **Si se conecta a un circuito protegido con fusibles, utilice un fusible de retardo.**
- **Utilice una toma de corriente dedicada.**
 - La conexión de varios dispositivos a una misma toma de corriente puede provocar un incendio.
- **Enchufe el cable de alimentación asegurándose de que quede hacia abajo.**
 - De lo contrario, podría dañar el enchufe o el cable y provocar un incendio o una descarga eléctrica.

4 INSTRUCCIONES IMPORTANTES DE SEGURIDAD

- **Al instalar o mover el refrigerador, tenga cuidado de no retorcer ni dañar el cable de alimentación. No apriete ni aplaste el cable o el enchufe cuando empuje el refrigerador en su sitio.**
 - De lo contrario, podría producirse un incendio o una descarga eléctrica.
- **No permita que el cable de alimentación se doble, aplaste o dañe de otra forma. No coloque el cable de alimentación bajo objetos pesados como muebles, otros electrodomésticos o áreas de alto tráfico.**
 - Si lo hace, puede dañar el cable de alimentación y provocar un incendio o una descarga eléctrica.
- **No extienda ni modifique la longitud del cable de alimentación.**
 - Use solamente un repuesto exacto de fábrica para evitar problemas eléctricos, incendios o descargas eléctricas.
- **Desconecte el cable de alimentación antes de limpiar o mover el refrigerador.**
 - Si no lo hace, puede producirse una descarga eléctrica o usted puede sufrir lesiones.
 - Presione el botón ENCENDIDO durante 3 segundos para apagar la alimentación en el panel de visualización.
- **No tire del cable ni toque el enchufe con las manos húmedas.**
 - Si lo hace, puede producirse una descarga eléctrica o usted puede sufrir lesiones.
- **Asegúrese de que el enchufe esté limpio y seco e insértelo firmemente en la toma de corriente de la pared.**
 - El polvo, el agua o una conexión floja pueden provocar un incendio o una descarga eléctrica.
- **No desenchufe el refrigerador tirando del cable.**
 - Si lo hace, podría provocar una descarga eléctrica o un cortocircuito que, a su vez, podrían provocar un incendio.
- **No utilice el enchufe ni el cable de alimentación si presentan daños o si la toma de corriente está dañada.**
 - Si lo hace, podría provocar una descarga eléctrica o un cortocircuito que, a su vez, podrían provocar un incendio.
- **Espere 5 minutos o más para volver a conectar el enchufe o la alimentación.**
 - Permita que el compresor tenga tiempo de concluir el ciclo antes de reiniciar.
- **Si el cable de alimentación está dañado, debe ser reemplazado por el fabricante o su agente de servicio técnico o por una persona con calificaciones similares a fin de evitar cualquier peligro.**

PRECAUCIÓN

- **No meta las manos debajo del refrigerador.**
 - Los bordes filosos, los ventiladores y los cables pueden provocar lesiones.
- **Conserve estas instrucciones para uso del inspector local.**
- **Respete todos los códigos y las ordenanzas vigentes.**
- **Instalador: deje estas instrucciones al usuario.**
- **Usuario: guarde estas instrucciones con el manual del propietario para futuras consultas.**

Aspectos generales

Estas instrucciones de instalación están destinadas a ser utilizadas por instaladores calificados. Todas las conexiones de agua, energía eléctrica y puesta a tierra deben cumplir con los códigos y las ordenanzas locales y deben ser realizadas por personal acreditado en los casos en que sea necesario. En ausencia de un código local:

- En los EE. UU., conforme al Código Eléctrico Nacional, ANSI/NFPA 70: última edición/códigos locales y/o estatales y municipales.
- En Canadá, conforme al Código Eléctrico Canadiense C22.1: última edición/códigos locales y/o provinciales y municipales.

INSTRUCCIONES IMPORTANTES DE SEGURIDAD 5

ESPAÑOL

GUARDE ESTAS INSTRUCCIONES

6 INSTALACIÓN

INSTALACIÓN

Antes de la instalación

⚠ ADVERTENCIA

- No almacene ni instale el aparato donde esté expuesto a:
 - la intemperie
 - daños por la acción del agua
 - temperaturas menores de 32 °F (0 °C)

Elección del sitio para la instalación

Temperatura y humedad

- El aparato debe instalarse en un área seca y bien ventilada.
- La temperatura ambiente debe permanecer entre 55 °F (13 °C) y 110 °F (43 °C) para evitar el mal funcionamiento del electrodoméstico.
- No instale el producto en lugares expuestos a la luz solar directa o cerca de una fuente de calor, como un horno o un radiador.

Dispositivos antivuelco

⚠ ADVERTENCIA

- Peligro de vuelco
 - El aparato es muy pesado y puede volcarse si se abre la puerta antes de que se haya instalado de forma segura.
 - Coloque los soportes antivuelco suministrados para evitar que el aparato se vuelque. El método más seguro para instalarlo en una posición estable es utilizar los dispositivos antivuelco que se suministran.
 - No abra la puerta del aparato, a menos que aún esté en el pálet o que los soportes antivuelco estén bien enganchados.
- Si la estructura de los gabinetes es lo suficientemente resistente, fijar el aparato a la pared superior y a las paredes laterales del gabinete puede proporcionar estabilidad adicional, siempre que la estructura esté firmemente conectada a la pared posterior. En caso de duda, consulte a un arquitecto o a un ingeniero de estructuras.

Estructura de los gabinetes

- Toda la estructura de los gabinetes, incluyendo el panel superior, debe estar construido en un material sólido (no de MDF) y contar con un grosor de 5/8" (16 mm) como mínimo.
- Las paredes laterales de la cavidad o de la estructura deben estar al ras.
- Las 4 pulgadas (100 mm) frontales de la superficie interior (remate del mueble) quedarán visibles cuando las puertas estén abiertas. Asegúrese de que esta área esté terminada con, como mínimo, 4 pulgadas de profundidad.
- Siga las especificaciones de instalación del gabinete para garantizar una instalación sin problemas.
- Por sobre todo, la estructura de los gabinetes no puede estar en falsa escuadra. Use un nivel de burbuja o mida las diagonales de la abertura para asegurarse de que las esquinas estén en escuadra.
- El aparato se fija a los lados y en la parte superior a la estructura o a los gabinetes adyacentes. Asegúrese de que la estructura o los gabinetes adyacentes se encuentren bien fijados al piso o la pared.

Piso

⚠ ADVERTENCIA

- El piso del área de instalación debe ser firme, nivelado y rígido para posibilitar una instalación segura y lograr el mejor rendimiento.
- No instale el aparato en una plataforma o estructura elevada.
- La estructura de debajo del aparato debe tener la capacidad de soportar el peso del mismo sin inclinarse ni doblarse.
- Para obtener el mejor rendimiento y evitar fugas, nivele el aparato.

Requisitos eléctricos

⚠ ADVERTENCIA

- Peligro de descarga eléctrica
 - Conecte a una toma de corriente de 3 clavijas con conexión a tierra.
 - No quite el terminal de tierra.

⚠ ADVERTENCIA

- No utilice un adaptador.
- No use un cable de extensión.
- El incumplimiento de estas instrucciones puede provocar la muerte, incendios o descargas eléctricas.
- Observe todos los códigos estatales y locales o el Código Nacional de Electricidad (NEC).
- El aparato viene con un cable de alimentación de 3 alambres homologado por UL.
- El aparato requiere una toma de corriente de 3 alambres.
- La toma de corriente debe ser instalada únicamente por un electricista acreditado.

una resistencia equivalente. (La estructura donde se fije el soporte debe ser una estructura sólida que pueda soportar una fuerza de 70 kgf o más).

- Antes de instalar el aparato, asegúrese de que la estructura sea del tamaño correcto. Para que el aparato funcione correctamente, la muesca en la placa inferior delantera debe estar alineada con el centro del aparato.

Conexión a tierra

Este aparato debe estar conectado a tierra. En caso de mal funcionamiento o avería, la conexión a tierra reducirá el riesgo de descargas eléctricas al proporcionar una ruta de menor resistencia para la corriente eléctrica.

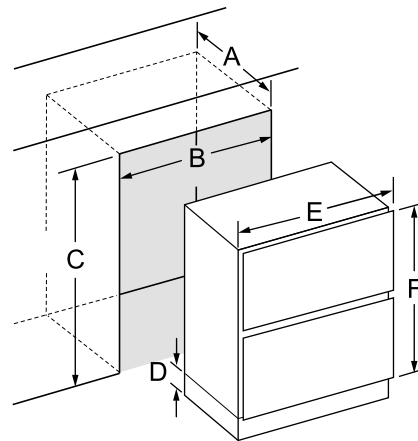
⚠ ADVERTENCIA

- la conexión incorrecta del conductor de puesta a tierra del equipo puede provocar descargas eléctricas. Si tiene dudas sobre si el electrodoméstico ha sido conectado a tierra correctamente, llame a un electricista calificado o un técnico del servicio técnico para que lo revisen.

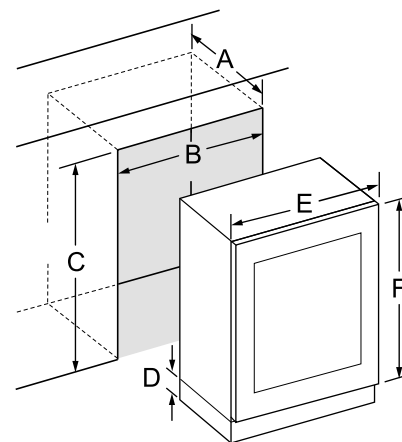
NOTA

- Algunas regulaciones locales pueden requerir una conexión a tierra independiente. En tales casos, la abrazadera, el tornillo y el cable a tierra requeridos para la conexión a tierra se encuentran disponibles como accesorios que deben comprarse por separado.
- Nunca conecte a tierra el aparato mediante tuberías de plástico, tuberías de gas ni tuberías de agua.

SKSUD2402P



SKSUW2401P



-	SKSUD2402P	SKSUW2401P
A	≥24" (610 mm)	
B	≥24" (610 mm)	
C	≥34 1/2" (876 mm)	
D	4" (101 mm)	
E	23 11/16" (602 mm)	

Dimensiones de la abertura

⚠ PRECAUCIÓN

- Los soportes antivuelco deben estar bien fijados a una pared de hormigón/madera con una resistencia de 15 ton o más, o a una pared con

8 INSTALACIÓN

-	SKSUD2402P	SKSUW2401P
F	30 5/16" (770 mm)	

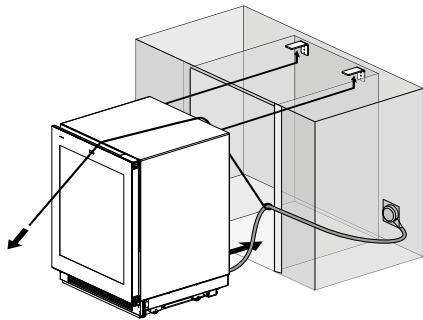
- Se recomienda un remate final mínimo de 4" (101 mm) que coincida con el exterior del gabinete en todos los laterales y en la parte superior de la abertura de recorte. El área sombreada queda a la vista después de la instalación.

Instalación eléctrica

- Se requiere una fuente de alimentación de 115 V 60 Hz y 15 A. Se recomienda un circuito de derivación o disyuntor individual debidamente conectado a tierra. Instale una toma de corriente de 3 clavijas empotrada en la pared posterior y adecuadamente conectada a tierra. La instalación eléctrica debe estar ubicada en la pared posterior como se muestra.
- Cuando instale un solo producto, utilice una toma de corriente simple.

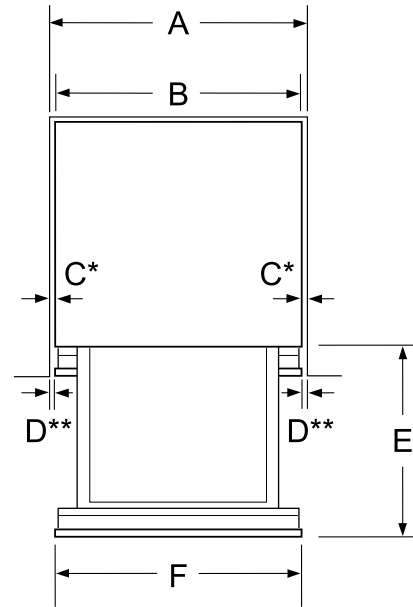
NOTA

- No se recomienda utilizar un GFCI (interruptor de circuito por falla a tierra).



Espacios libres en la instalación

Modelo: SKSUD2402P

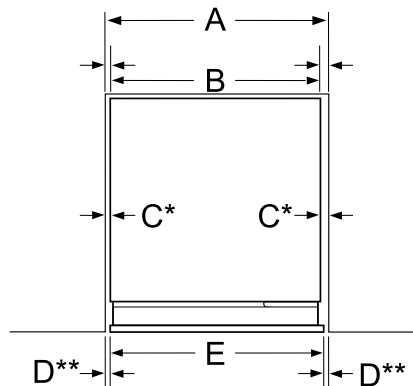


* Espacio lateral libre en el gabinete

** Espacio lateral libre en el panel delantero

-	Dimensiones y Espacios
A	≥24" (610 mm)
B	23 7/16" (595 mm)
C	5/16" (7.5 mm) mín.
D	3/16" (4 mm)
E	18" (457 mm) con el panel
F	23 11/16" (602 mm) con el panel

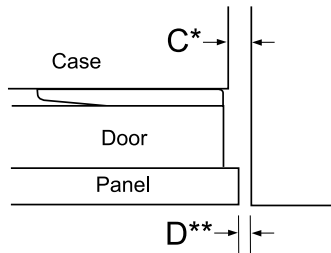
Modelo: SKSUW2401P



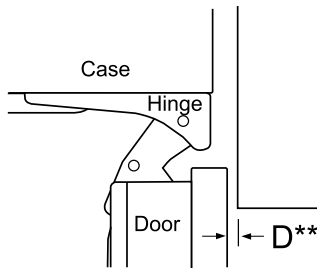
* Se muestra la instalación con bisagra del lado derecho. Cuando se invierte el sentido de apertura la puerta, también se invierten los espacios laterales de la bisagra y la manija.

** Espacio lateral libre en el panel delantero

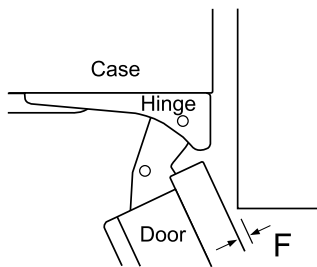
Vista superior (puerta cerrada)



Vista superior (puerta abierta a 90°)



Vista superior (puerta abierta a 115°)



-	Dimensiones y Espacios
A	≥24" (610 mm)
B	23 7/16" (595 mm)
C	Lateral de la manija 1/8" (2.5 mm) mín. Lateral de la bisagra 1/2" (12.5 mm) mín.
D	3/16" (4 mm)
E	23 11/16" (602 mm) con el panel
F	1/4" (6.5 mm)

NOTA

- Espacios para la apertura de las puertas
 - La instalación debe dejar espacios con respecto a las paredes o gabinetes adyacentes. Esta cava está equipada con un tope de puerta de 2 posiciones. El ángulo de apertura de la puerta de 115° configurado de fábrica se puede ajustar a 90° si el espacio se encuentra limitado por gabinetes o paredes adyacentes.
- Espacios para las manijas de las puertas
 - En las dimensiones, tal como se indica, debe sumarse la profundidad de la manija de la puerta a fin de determinar el espacio libre total requerido con respecto a gabinetes o paredes adyacentes. Este espacio variará dependiendo de la manija personalizada utilizada. Cuando utilice las manijas el kit de paneles de puerta de acero inoxidable con manija de acero inoxidable, el espacio libre para las manijas de la puerta con la puerta abierta a 115° es de 11 3/4" (298 mm).

Herramientas y accesorios necesarios

Accesorios suministrados

Accesorios suministrados

- Instrucciones de instalación
- Instrucciones de uso
- Kit de instalación

Tornillo	Tamaño	No.	Se usa para
A Type	5H x 45L	6	Soporte antivuelco
B Type	4D x 14L	10	Soportes antivuelco (6) Estructura de los gabinetes (4)
C-1 Type	4D x 6L	4	Estructura de los gabinetes
C-2 Type	4D x 12L	12	Panel de la puerta

10 INSTALACIÓN

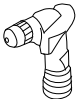
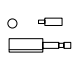
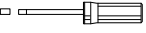
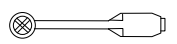
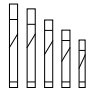


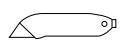
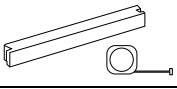
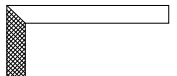
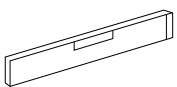
NOTA

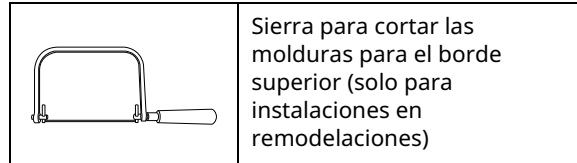
- Además de la cantidad necesaria para instalar el aparato, es posible que se suministren tornillos de repuesto.

Otros

- Carretilla o carro de carga para transporte manual
- Taladro para perforar paredes o pisos.
- Brocas de varios tamaños y adecuadas para los materiales
- Tornillos para madera de diferentes tamaños
- Lámina delgada de contrachapado, tabla de aglomerado o cartón para proteger el suelo de posibles daños
- Material adecuado para cubrir y proteger los muebles (por ejemplo, nylons protectores)
- Cinta adhesiva

Herramientas

	Destornillador inalámbrico
	Punta Torx T20, T30 y soporte magnético
	Destornillador Torx T20, T30
	Llave de tuercas hexagonales de 3/8" (10 mm)
	Variedad de brocas
	Tenazas de agarre múltiple
	Llave ajustable
	Cuchilla de hoja graduable
	Cinta métrica metálica, metro plegable
	Escuadra
	Niveles: de 2" (60 cm) y 4' (1.2 m) de longitud



Dimensiones del producto

Las siguientes instrucciones de instalación describen los pasos para instalar diversos tipos de aparatos.

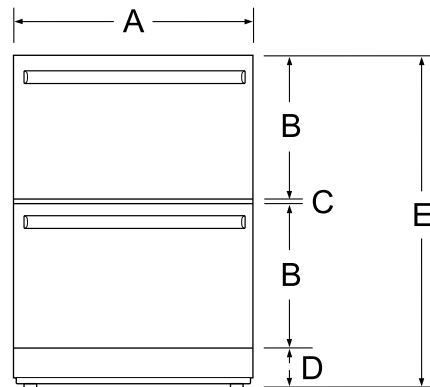
Los diagramas pueden ser una representación general de su aparato.

Se hace referencia en particular a los pasos de instalación especial para tipos de aparatos individuales.

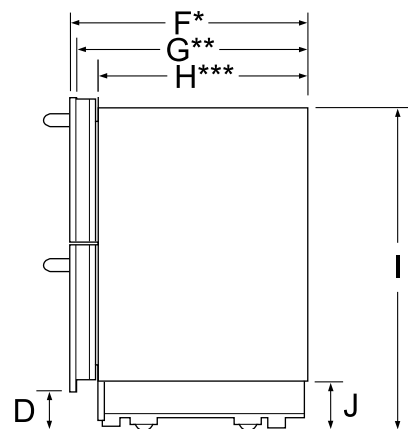
Dimensiones del producto

Modelo: SKSUD2402P

- Vista delantera



- Vista lateral



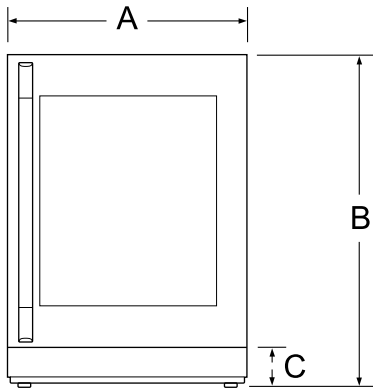
* Profundidad con el panel del cajón de 3/4" (19 mm)

- ** Profundidad con los cajones (sin panel)
- *** Profundidad de la unidad sin los cajones

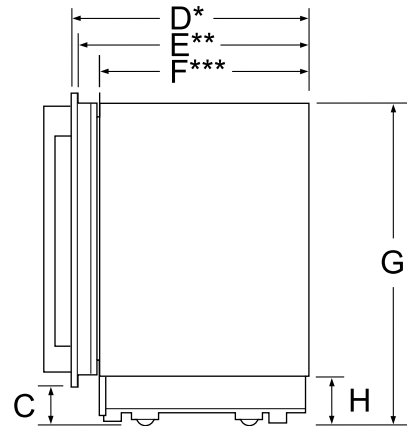
-	Dimensiones
A	23 11/16" (602 mm) con el panel 23 7/16" (595 mm) sin el panel
B	15" (381 mm)
C	1/4" (7 mm)
D	4" (101 mm)
E	34 1/4" (870 mm) mín. 34 5/8" (880 mm) máx.
F	23 1/4" (590 mm)
G	22 1/2" (571 mm)
H	20 1/2" (520 mm)
I	33 3/16" (843 mm) mín. 33 9/16" (853 mm) máx.
J	5" (128 mm)

Modelo: SKSUW2401P

- Vista delantera



- Vista lateral



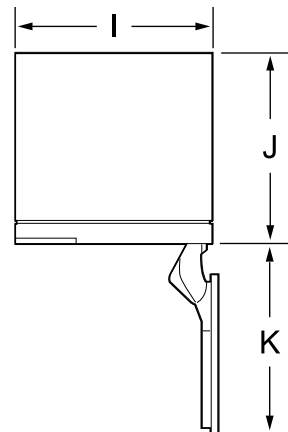
* Profundidad con el panel del cajón de 3/4" (19 mm)

** Profundidad con la puerta (sin panel)

*** Profundidad de la unidad sin la puerta

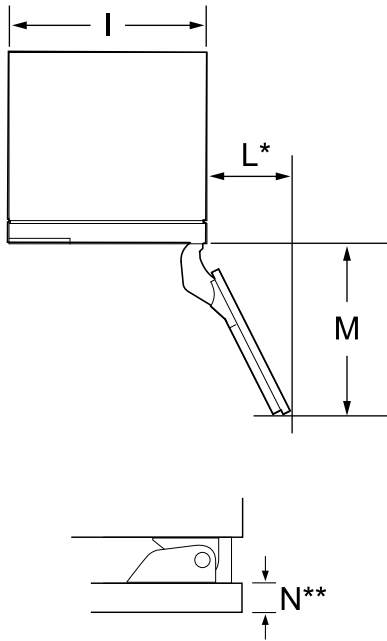
-	Dimensiones
A	23 11/16" (602 mm) con el panel
B	34 1/4" (870 mm) mín. 34 5/8" (880 mm) máx.
C	4" (101 mm)
D	23 5/8" (600 mm)
E	22 7/8" (581 mm)
F	20 7/8" (530 mm)
G	33 3/16" (843 mm) mín. 33 9/16" (853 mm) máx.
H	5" (128 mm)

- Vista superior (puerta abierta a 90°)



12 INSTALACIÓN

- Vista superior (puerta abierta a 115°)



* Se debe sumar la manija de la puerta a esta dimensión.

** Varía según el grosor del panel del gabinete personalizado. Los paneles de puerta del kit opcional de paneles de puerta de acero inoxidable SKS tienen un grosor de 3/4" (19 mm).

-	Dimensiones
I	23 7/16" (595 mm)
J	20 7/8" (530 mm)
K	26 1/8" (663 mm)
L	10 1/2" (266 mm)
M	24 3/8" (620 mm)
N	3/4" (19 mm)

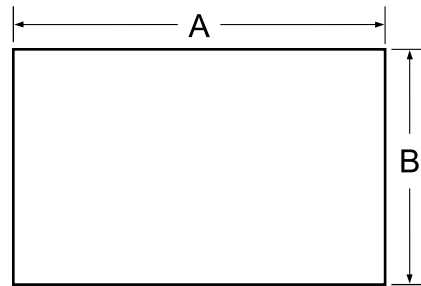
NOTA

- Esta unidad está diseñada para personalizarse con un panel decorativo. Se requiere un panel de puerta personalizado de instalación en el lugar o un kit opcional de panel de acero inoxidable.
- **Para paneles personalizados:** use las plantillas suministradas con las unidades para taladrar previamente los orificios para los soportes de montaje de paneles (provistos con la unidad). Los tornillos de ajuste y las instrucciones también se suministran con las unidades.

Dimensiones del panel personalizado

Dimensiones del panel personalizado de 3/4" (19 mm) - Instalación al ras

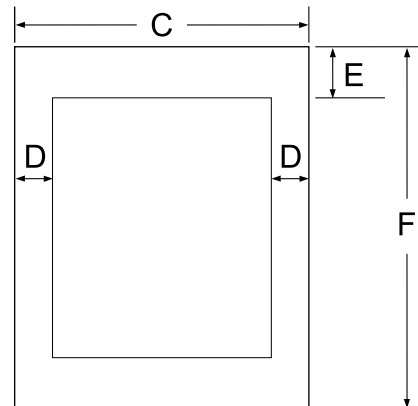
- Refrigerador debajo de la encimera convertible con cajones de 24 pulgadas



-	Dimensiones
A	23 11/16" (602 mm)
B	15" (381 mm)

NOTA

- Las dimensiones de los paneles personalizados son las mismas para los cajones superior e inferior.
- Cava debajo de la encimera integrable de 24 pulgadas

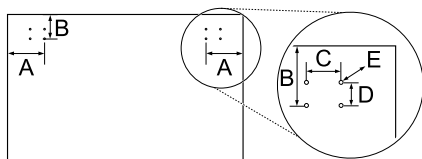


-	Dimensiones
C	23 1/16" (602 mm)
D	3 11/32" (84.9 mm)
E	4 15/16" (124.9 mm)

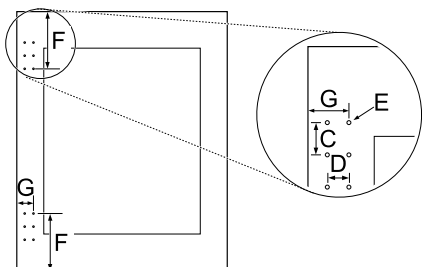
-	Dimensiones
F	30 9/32" (769 mm)

Dimensiones de instalación de la manija de puerta SKS del panel personalizado

- Refrigerador debajo de la encimera convertible con cajones de 24 pulgadas



- Cava debajo de la encimera integrable de 24 pulgadas



-	Dimensiones
A	3 3/4" (94.5 mm)
B	2 7/16" (62.4 mm)
C	1 7/16" (37 mm)
D	15/16" (24.4 mm)
E	Φ 3/16" (4.8 mm)
F	7" (178 mm)
G	1 1/4" (57.9 mm)

Accesorios opcionales

- SKSUK240DS - Kit de manija y panel de acero inoxidable para refrigerador debajo de la encimera con cajones de 24 pulgadas**
 - Esta unidad se puede instalar con el kit opcional de acero inoxidable. El kit incluye dos paneles para cajones y dos manijas.
- SKSUK240WS - Kit de manija y panel de acero inoxidable para cava debajo de la encimera de 24 pulgadas**
 - Esta unidad se puede instalar con el kit opcional de acero inoxidable. El kit incluye el panel para la puerta y manija.
- SKSHK230HS - Manijas para uso con panel personalizado**
 - Manija mediana de aluminio pulido de 22 3/4" (578 mm)

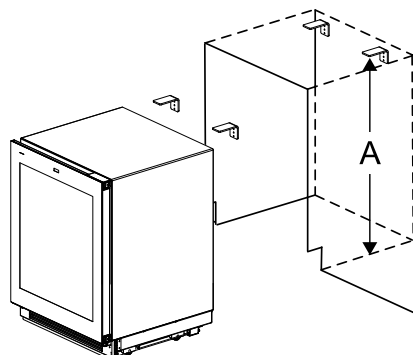
Traslado del aparato

Instalación de los soportes antivuelco

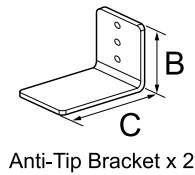
⚠ ADVERTENCIA

- Para evitar lesiones o daños, verifique que no haya cables eléctricos ni tuberías en las paredes antes de taladrar o colocar tornillos.
- Los soportes antivuelco deben estar bien fijados a una pared de hormigón/madera con una resistencia de 15 ton o más, o a una pared con una resistencia equivalente. (La estructura donde se fije el soporte debe ser una estructura sólida que pueda soportar una fuerza de 70 kgf o más).

Instale los soportes antivuelco en la parte posterior de la estructura de los gabinetes, colocando los soportes según las ubicaciones de los espárragos y las dimensiones del producto y de la estructura.



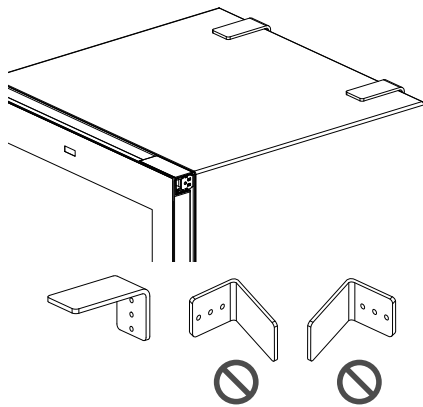
14 INSTALACIÓN



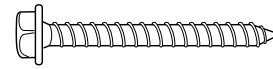
-	Dimensiones
A	33 3/16" (843 mm) mín. 33 9/16" (853 mm) máx.
B	2 3/8" (60 mm)
C	3 3/4" (90 mm)

NOTA

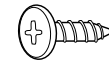
- Los soportes deben fijarse como se muestra a la continuación. Los soportes podrían no evitar el vuelco de la unidad si se los coloca orientados de otra manera.



- Use tornillos de tipo A o B. (Recomendados: tipo A → para paredes de hormigón, tipo B → para paredes de madera)



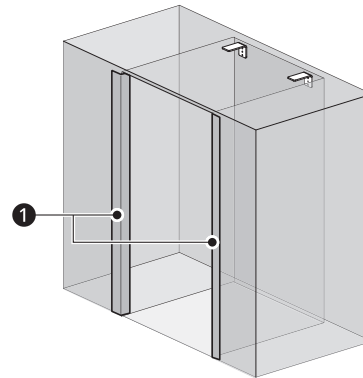
A Type



B Type

Protección de los bordes de la estructura

Para proteger los bordes delanteros de la estructura de los gabinetes, pegue con cinta un cartón delgado o algún otro material protector alrededor de los bordes.



1 Cubierta protectora

Instalación del electrodoméstico en la estructura

⚠ ADVERTENCIA

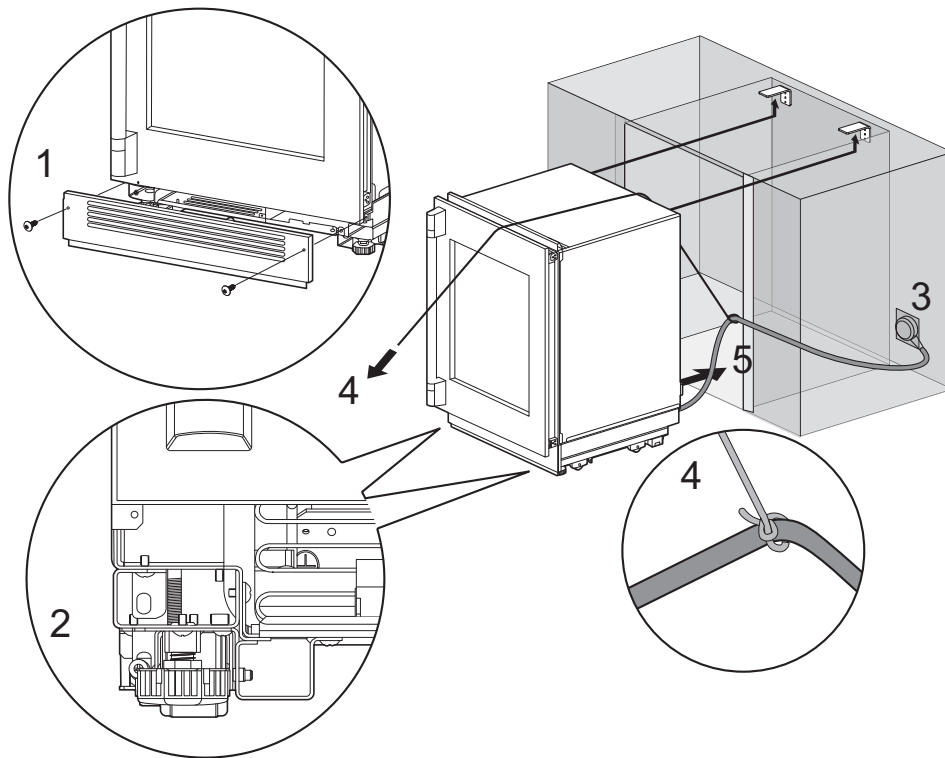
- Es necesario que la instalación del aparato la realicen 2 o más personas. Tenga cuidado al mover el aparato. Es muy pesado y propenso a volcarse cuando no está sujeto.

⚠ PRECAUCIÓN

- Sea cuidadoso para evitar dañar la línea de agua o el cable de alimentación cuando coloque el aparato en el interior de la estructura.
- Antes de mover la unidad a su posición, sujete la puerta y los cajones en posición cerrada y proteja los pisos con terminación.
- Use un carro de carga para mover la unidad hasta cerca de la abertura.

⚠ PRECAUCIÓN

- Las patas de nivelación delanteras se extienden por debajo de los rodillos delanteros para una mejor estabilidad durante la colocación. Cuando la unidad se encuentre frente a la abertura, retraiga completamente las patas niveladoras delanteras para permitir que el aparato ruede hasta su lugar. Las patas de nivelación delanteras y traseras se pueden ajustar desde adelante una vez que la unidad esté colocada en su sitio.
- Si la unidad ha estado apoyada en uno de sus laterales o en su parte posterior, debe permanecer en posición vertical durante un mínimo de 24 horas antes de que se la encienda.
- Después de colocar el aparato en su posición, verifique que los soportes antivuelco estén correctamente enganchados.



- 1** Retire el panel de la base.
- 2** Retraiga las patas de nivelación para que el aparato pueda moverse hacia adelante.
- 3** Enchufe el cable de alimentación en la toma de corriente.
- 4** Ate una cuerda larga alrededor del centro del cable de alimentación. Pase la cuerda por encima de la parte superior del aparato, tire de ella hasta que el cable de alimentación se mantenga en alto sobre el suelo, luego pegue la cuerda a la parte frontal del aparato para mantener el cable de alimentación apartado del suelo. No pellizque ni tire del cable de alimentación. Asegúrese de que todavía esté enchufado.

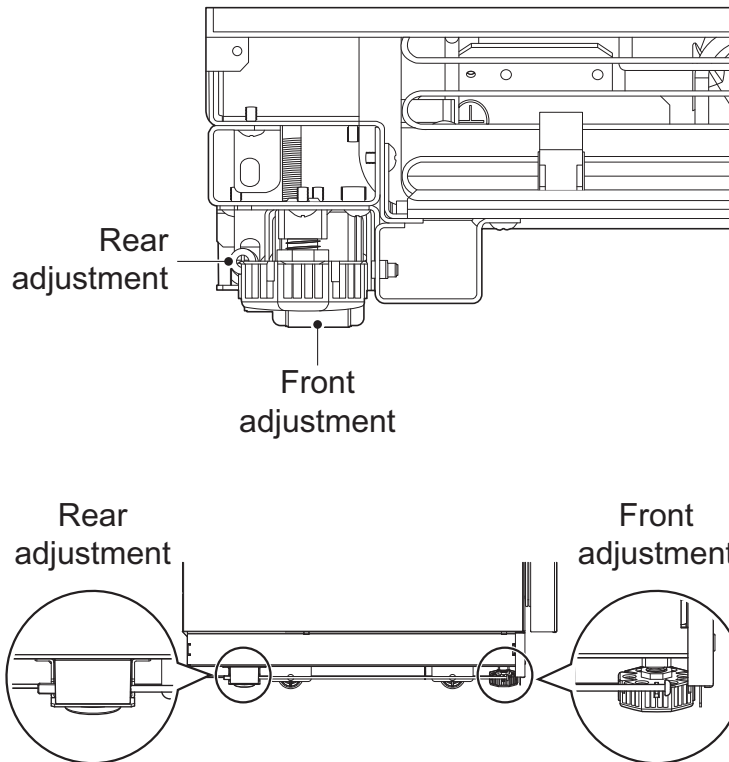
16 INSTALACIÓN

- 5 Mueva con cuidado el aparato hasta colocarlo en la estructura, asegurándose de no pellizcar el cable de alimentación ni la línea de agua debajo o detrás de la unidad.
- 6 Retire la cuerda del cable de alimentación y la protección de los bordes de la estructura.

Nivelación y sujeción del aparato

Alineación y nivelación del aparato

- Ajuste de la profundidad
 - Ajuste la profundidad de la unidad en la estructura a fin de que los paneles de las puertas queden al ras con respecto a los gabinetes que las rodean. Use la herramienta de medición proporcionada para un ajuste preciso.
- Ajuste de la altura
 - Las patas de nivelación delanteras y traseras se pueden ajustar ambas desde adelante.



- Nivelando
 - Una vez que el aparato esté alineado correctamente en la estructura, nivélelo usando las patas de nivelación delanteras y traseras.
- 1 Use un destornillador Phillips y una llave para extender las patas de nivelación delanteras y traseras hasta que estén en contacto firme con el piso.



- 2 Gire los tornillos como se muestra arriba para levantar el aparato. Gire los tornillos en la dirección opuesta para bajarlo.
- 3 Asegúrese de que el peso del refrigerador recaiga sobre las patas, no sobre las ruedas.
- 4 Use una aplicación de nivelación para teléfonos inteligentes o coloque un nivel de carpintero en la parte superior y los laterales del aparato para comprobar que esté nivelado y a plomo. O use la herramienta de medición provista para medir la distancia del borde inferior del aparato desde el piso en las esquinas delanteras.

⚠ ADVERTENCIA

- Para reducir la posibilidad de que la unidad se incline hacia adelante, las patas de nivelación delanteras deben estar en contacto con el piso.

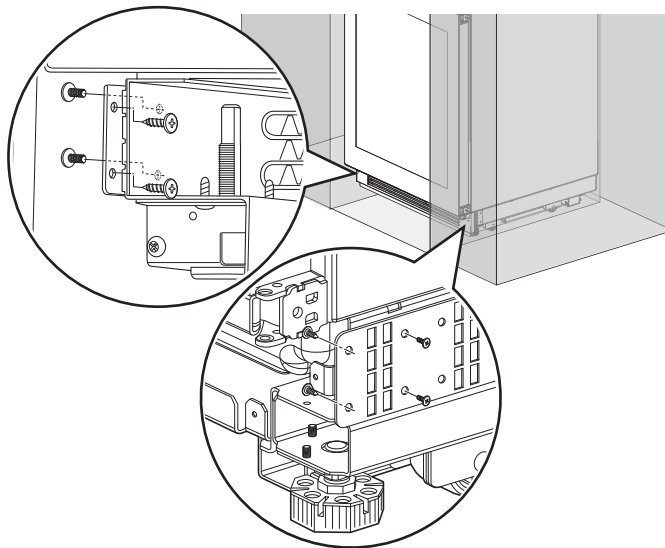
⚠ PRECAUCIÓN

- Si usa un taladro eléctrico, utilice el ajuste de torque más bajo.
- Deje, al menos, 3/8 pulg. (10 mm) entre la parte frontal superior del aparato y la parte superior de la estructura para colocar la tira de relleno superior.
- No supere las 20 pulgada-libras (2.25 Nm) de torque.
- 20 revoluciones equivalen a 1/16" (2 mm) de ajuste de altura.

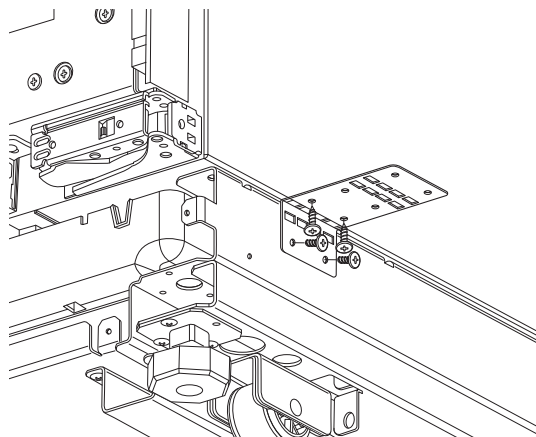
18 INSTALACIÓN

Cómo fijar el aparato a la estructura

- Apriete el soporte de fijación lateral a los laterales inferiores izquierdo y derecho del gabinete con tornillos de tipo B y C-1.
- Use el tornillo tipo B para fijar el soporte al gabinete y el tornillo tipo C-1 para colocar el soporte en el aparato.



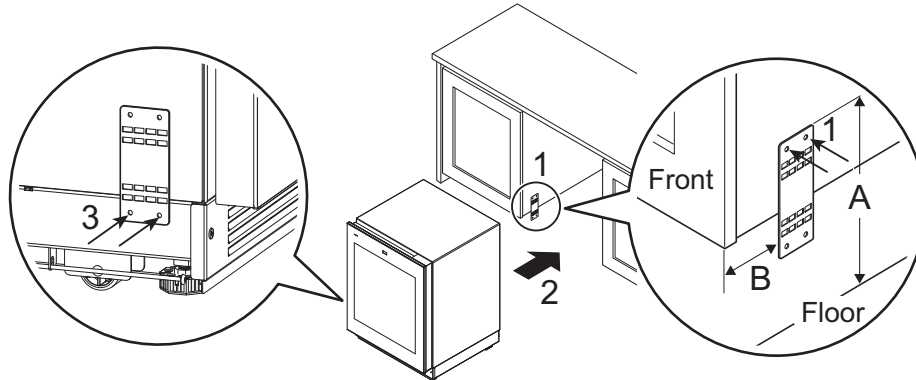
- Si no hay suficiente espacio para apretar el tornillo en el lateral de la base, sujete el soporte a la parte inferior del gabinete adyacente.



- **Si el soporte de montaje se coloca primero al gabinete:**

- 1** Coloque el soporte en el gabinete con un tornillo tipo B.
- 2** Inserte el aparato, nivélelo con el gabinete adyacente y sujételo al extender las patas delanteras y traseras.

3 Después de sujetar el aparato, coloque el soporte en el refrigerador con un tornillo tipo C-1.

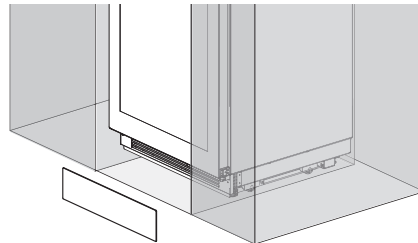


-	Dimensiones
A	6 11/16" (170 mm)
B	5 5/16" (135 mm)

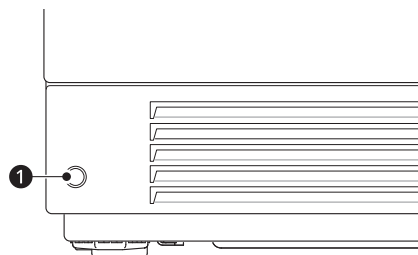
Cómo fijar el panel del zócalo

⚠ PRECAUCIÓN

- No cierre la ventilación de aire de la cubierta inferior del aparato.

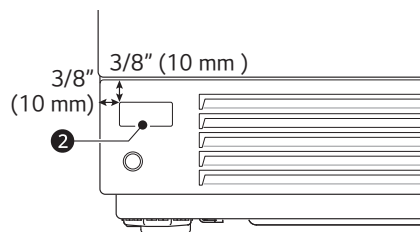


1 Use un tornillo **1** para sujetar la cubierta inferior al aparato.



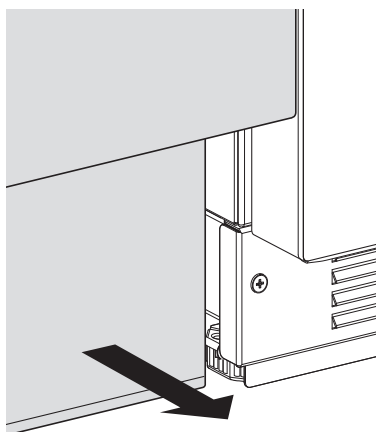
2 Coloque la etiqueta Smart Diagnosis **2** en el lugar que se muestra.

20 INSTALACIÓN

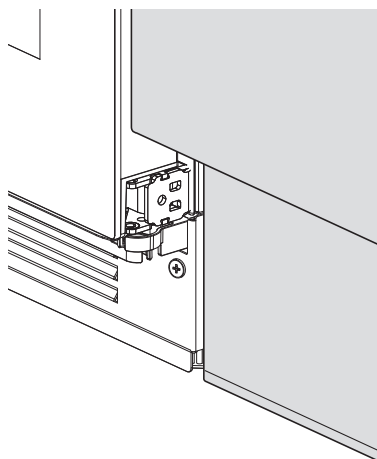


NOTA

- La unidad de transmisión y recepción de Wi-Fi se encuentra en la base, por lo que la recepción depende del material de la base.
- Terminación de la instalación de la base
 - Si la posición (profundidad desde el frente) de la base del gabinete es diferente de la posición de la base del aparato, ajuste la base del gabinete, de modo que quede alineada con la posición de la base del aparato.
- Cómo ajustar la base
 - Tire de la base del gabinete hacia adelante y alinéela con la base del refrigerador.



- Después de ajustar la base



Paneles y molduras

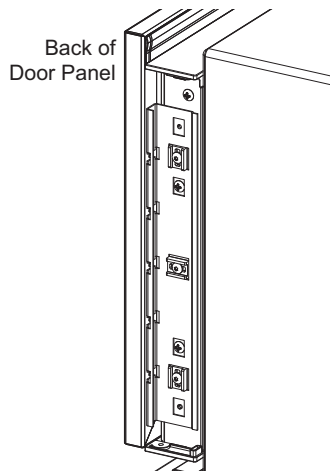
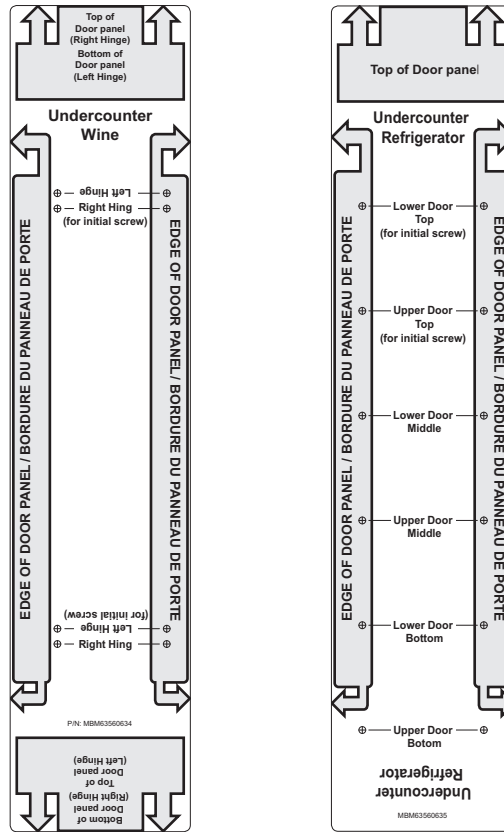
Instalación de los paneles de la puerta

El panel de la puerta debe instalarse primero, luego, se debe seguir por el panel del cajón superior y, en último lugar, por el del inferior, si es necesario.

- 1** Coloque el panel de la puerta hacia abajo sobre una superficie protegida.
- 2** Localice el lado correcto de la plantilla del panel de la puerta para su producto y coloque la plantilla al ras con respecto a los lados superior e izquierdo del panel.
- 3** Use la plantilla para marcar las ubicaciones correctas de los tornillos en la parte posterior del panel.
- 4** Deslice la plantilla hacia la derecha para que quede al ras con los lados superior y derecho del panel.
- 5** Use la plantilla para marcar las ubicaciones correctas de los tornillos en la parte posterior del panel.
- 6** En las columnas del refrigerador/congelador, comience insertando un tornillo #8 de 1/2" en el quinto orificio desde la parte superior de cada lado. En las columnas cava, use el tercer orificio desde la parte superior. Deténgase cuando los tornillos sobresalgan en 3/16" (4 mm) del panel. Estos serán los tornillos de soporte durante la instalación del panel.

22 INSTALACIÓN

- 7 Inserte los tornillos de soporte en los orificios ranurados de los soportes de montaje de la puerta del aparato para que el panel quede colgado de la puerta.



4X12
Mounting door panel

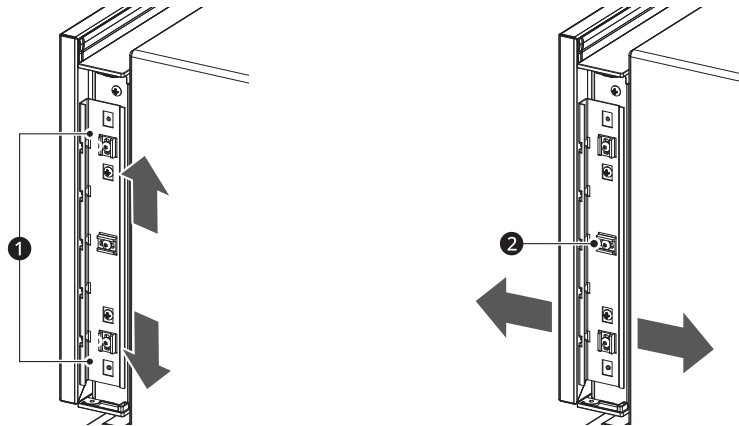
⚠ PRECAUCIÓN

- Tenga cuidado con los puntos que presentan riesgos de pellizco al instalar los paneles de puertas o al abrir y cerrar las puertas.

Ajuste de los paneles de la puerta

Ahora se pueden hacer los ajustes finos para alinear los paneles de la puerta.

- 1 Para ajustar el panel de la puerta en sentido horizontal, deslice los tornillos de soporte del panel hacia la izquierda o hacia la derecha en los orificios ranurados, según sea necesario. Otra persona debe sostener el panel en su lugar mientras usted aprieta los tornillos de soporte e inserta y ajusta todos los tornillos de montaje restantes.
- 2 Para ajustar el panel de la puerta en sentido vertical o hacia atrás y adelante, afloje los tornillos del soporte de la puerta del aparato. Mueva los rieles de plástico para hacer los ajustes que necesita. Otra persona debe sostener el soporte en su lugar mientras usted ajusta todos los tornillos del soporte.

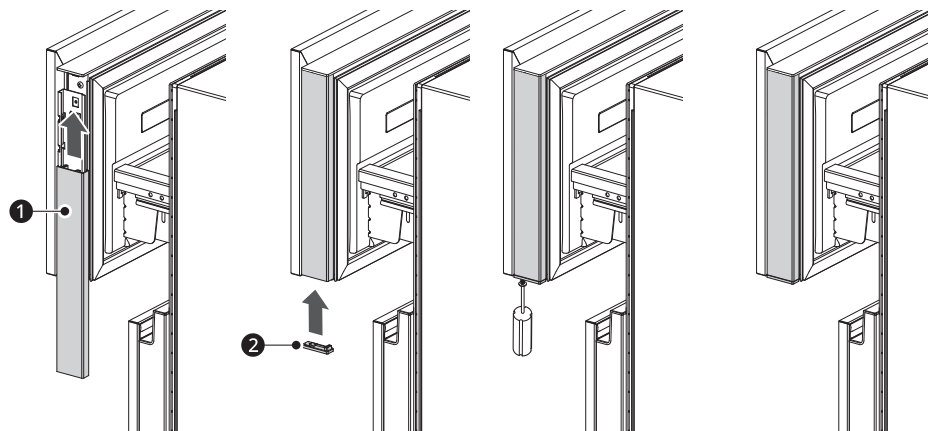


- 1 Ajuste hacia arriba y hacia abajo
- 2 Ajuste hacia afuera y hacia adentro

Instalación de las molduras de la puerta

Modelo: SKSUD2402P

- Una vez que se hayan ajustado los paneles, instale la moldura lateral decorativa en las puertas.
- Instale la moldura de la puerta antes de ajustar la cubierta con los tornillos provistos.



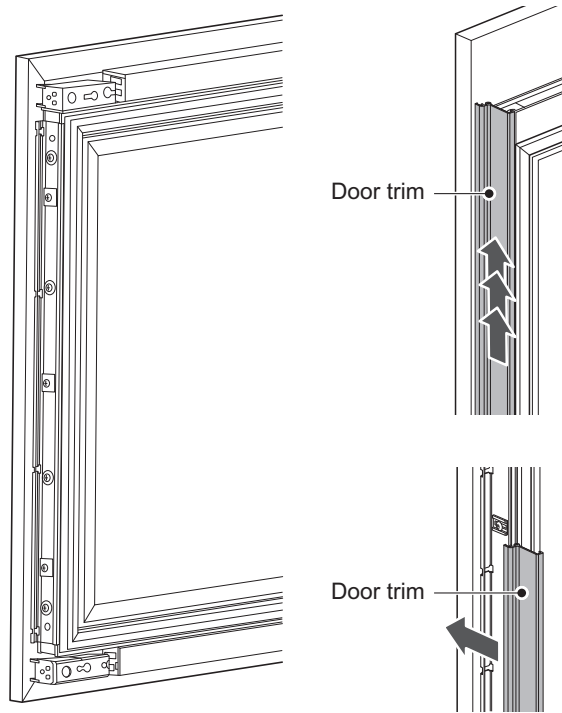
- 1 Moldura de la puerta

24 INSTALACIÓN

2 Cubierta

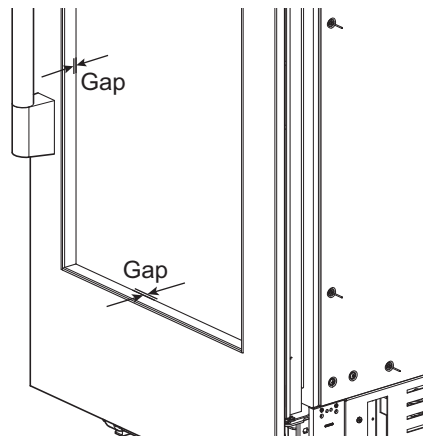
Modelo: SKSUW2401P

- Una vez que se hayan ajustado los paneles, instale la moldura lateral decorativa en las puertas.
- Para hacerlo, comience en el centro y alinee la moldura con las bridas delanteras y traseras del soporte, luego encájela en su lugar empujándola hacia la parte posterior del panel. Cuando el sector del medio esté fijado, continúe con la instalación hacia arriba, hasta que la moldura restante quede completamente colocada.



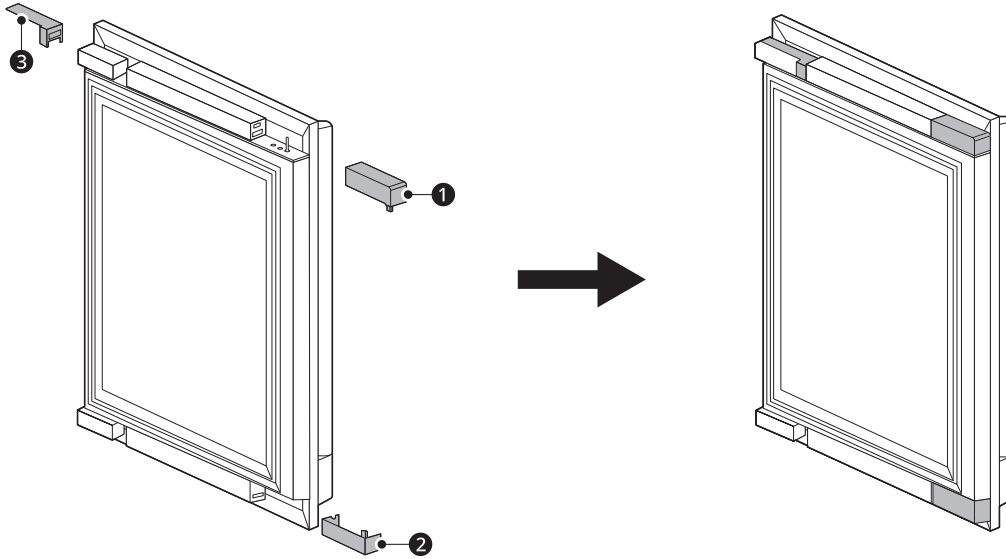
NOTA

- Cuando ajuste el panel de la puerta de la cava, quedará un pequeño espacio entre la superficie de la puerta de vidrio y la brida de plástico del panel. Esto es normal.



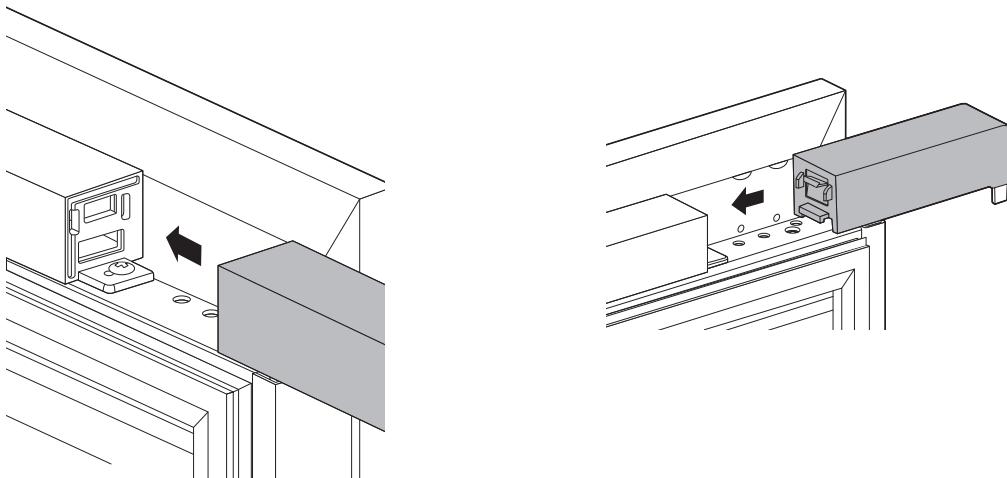
Instalación de las molduras (terminación) de las puertas superior e inferior en las puertas de modelos de cavas

- Instalación de la bisagra derecha
 - Inserte la moldura (terminación) ① y ③ en los lados izquierdo y derecho de la moldura (terminación) y decoración de la tapa superior ② del lado izquierdo de la decoración de la tapa inferior.



NOTA

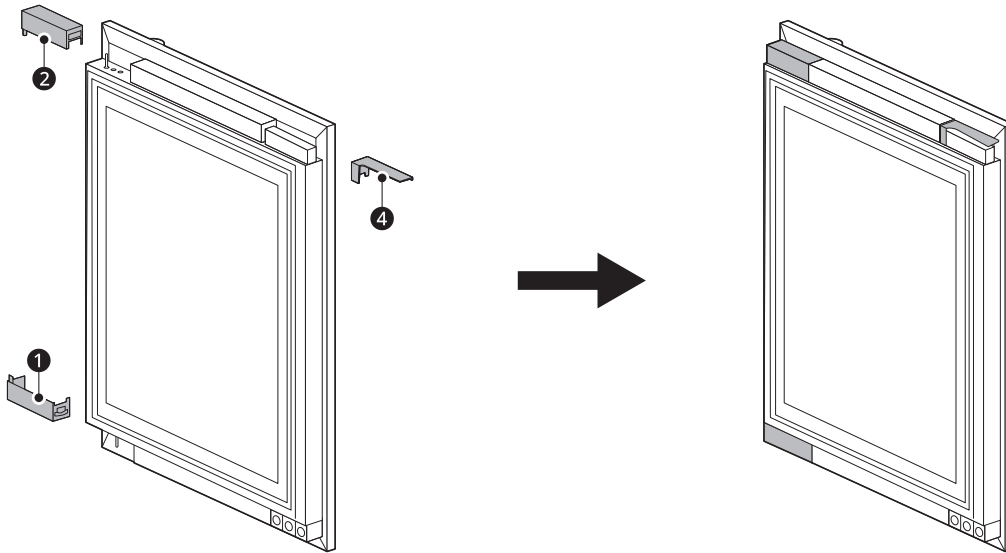
- Dirección de inserción de la moldura



26 INSTALACIÓN

• Instalación de la bisagra izquierda

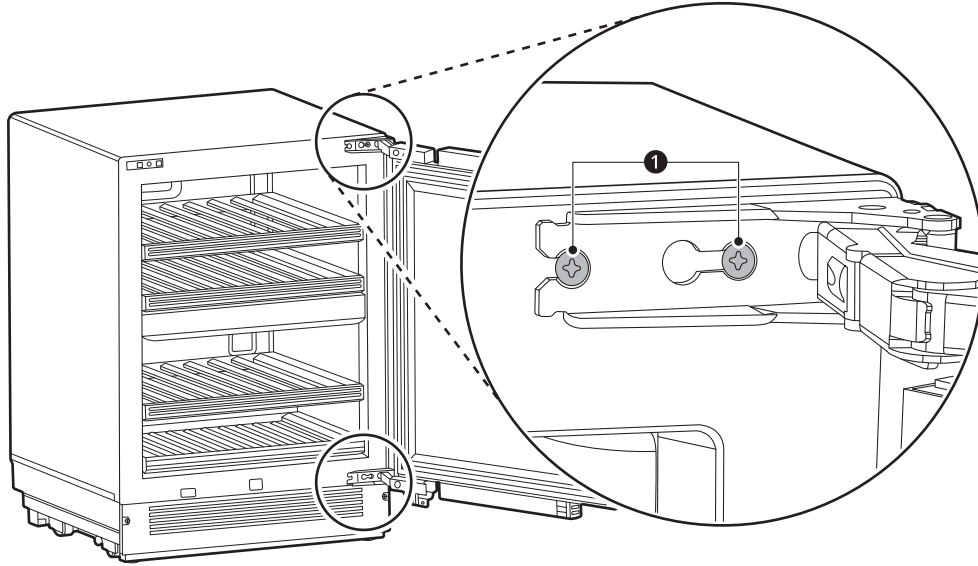
- Inserte la moldura (terminación) **2** y **4** en los lados izquierdo y derecho de la moldura (terminación) y decoración de la tapa superior **1** del lado derecho de la decoración de la tapa inferior.



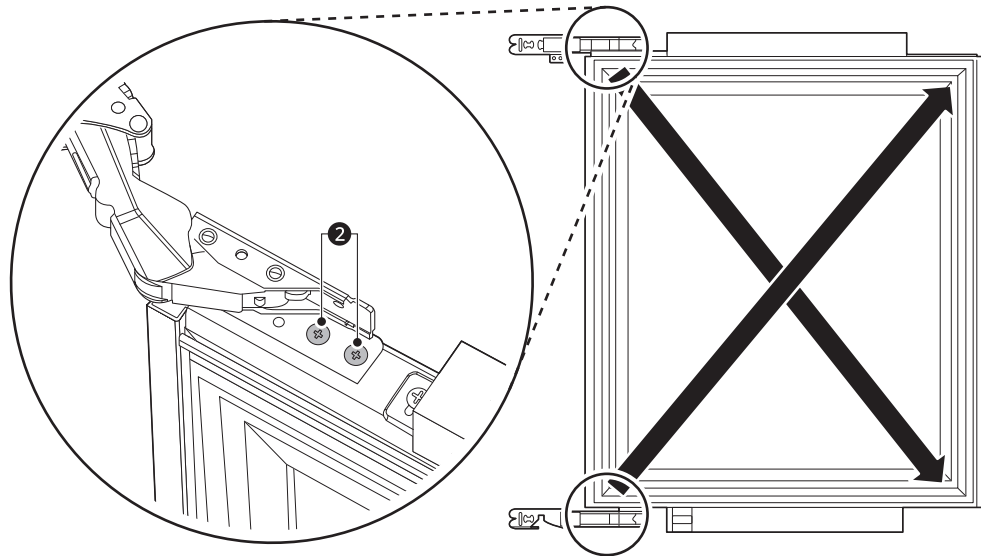
Moldura 1	Moldura 2	Moldura 3	Moldura 4

Inversión del sentido de apertura de la puerta

- 1 Retire los 2 pernos de montaje ❶ de la parte superior e inferior de la puerta. Retire la puerta y déjela a un lado sobre una superficie protegida.

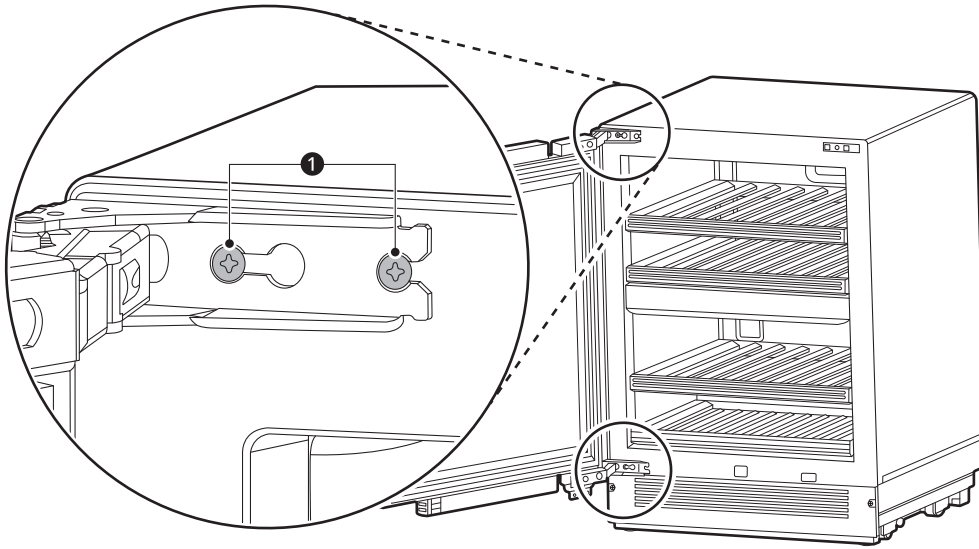


- 2 En la puerta, retire los 2 pernos ❷ de la bisagra superior e instale la bisagra en el lado opuesto en la parte inferior de la puerta. En la puerta, retire los 2 pernos ❷ de la bisagra inferior e instale la bisagra en el lado opuesto en la parte superior de la puerta.



- 3 Inserte los 2 pernos ❶ en la parte superior e inferior de la puerta para volver a colocarla.

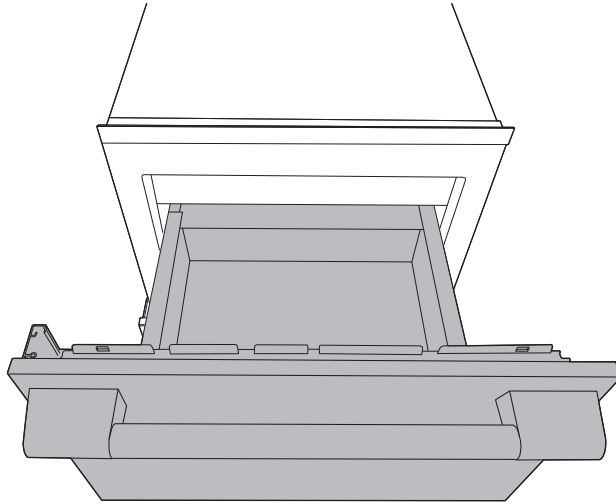
28 INSTALACIÓN



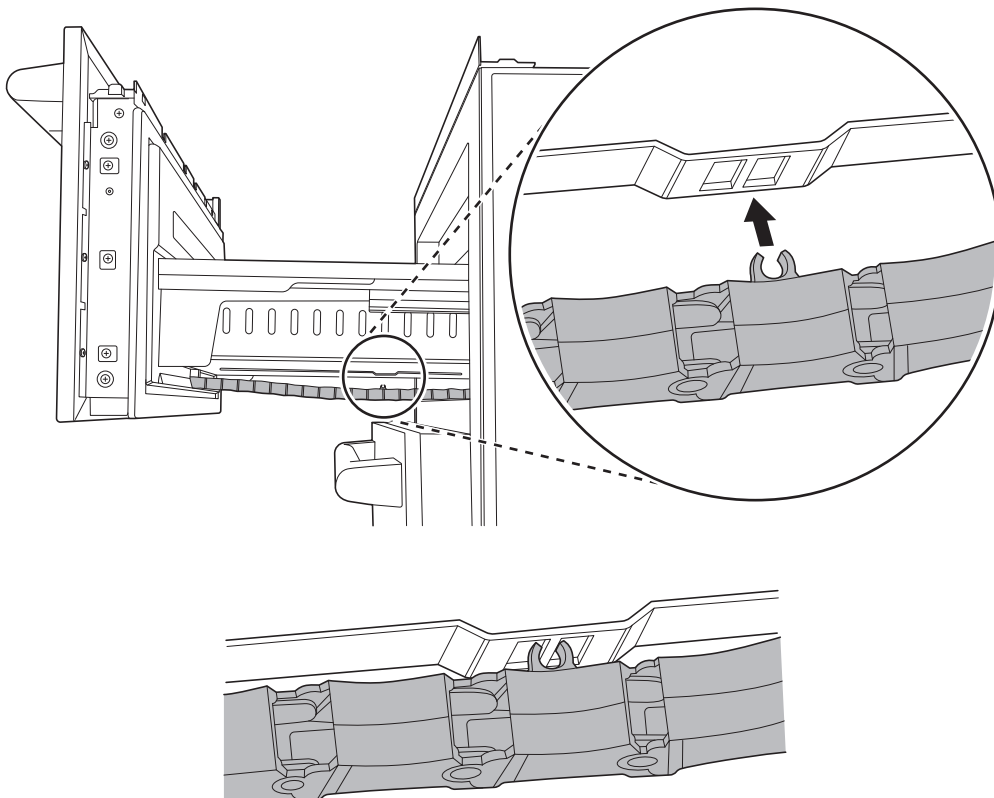
Inserción del conjunto del enlace

Modelo: SKSUD2402P

- 1 Después de la instalación, abra el cajón superior y verifique que el conjunto del enlace de la parte inferior del cajón esté inserta.

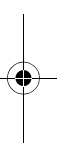
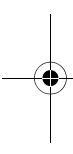


- 2 Si no lo está, insértelo en la parte inferior del cajón.





30 Memorándum



SKS

MANUEL D'INSTALLATION

RÉFRIGÉRATEUR INTÉGRÉ

Veillez lire attentivement le présent manuel d'installation avant d'installer l'appareil et conservez-le à portée de la main pour le consulter en tout temps.

FRANÇAIS

SKSUD2402P / SKSUW2401P

www.sksappliances.com

Copyright © 2021-2025 LG Electronics. Tous droits réservés

2

TABLE DES MATIÈRES

3 CONSIGNES DE SÉCURITÉ IMPORTANTES

3 AVERTISSEMENTS

- 3 Installation
- 3 Branchement électrique

4 MISES EN GARDE

- 4 Général

6 INSTALLATION

6 Avant l'installation

- 6 Choix de l'emplacement d'installation
- 6 Dispositifs anti-basculement
- 6 Encastrement
- 6 Plancher
- 6 Exigences électriques
- 7 Mise à la terre
- 7 Dimensions de découpe
- 8 Dégagements pour l'installation

9 Accessoires et outils requis

- 9 Accessoires
- 10 Outils

10 Dimensions de l'appareil

- 10 Dimensions de l'appareil
- 12 Dimensions du panneau personnalisé

13 Déplacement de l'appareil dans l'encastrement

- 13 Installation des supports anti-basculement
- 14 Protection des bords de l'encastrement
- 14 Installation de l'appareil dans l'encastrement

16 Mise à niveau et fixation de l'appareil

- 16 Alignement et mise à niveau de l'appareil
- 18 Fixation de l'appareil à l'encastrement
- 19 Fixation du panneau coup-de-pied

21 Panneaux et garniture

- 21 Installation des panneaux de porte
- 23 Ajustement des panneaux de porte
- 23 Installation de la garniture de porte
- 27 Inversion de la porte
- 29 Insertion du lien d'assemblage

CONSIGNES DE SÉCURITÉ IMPORTANTES

AVERTISSEMENTS

- **RISQUE DE BASCULEMENT**
 - L'appareil est très lourd. S'il se renverse, il peut causer des dommages, des blessures graves ou la mort. N'ouvrez pas les portes ou les tiroirs avant que l'appareil ne soit adéquatement installé.
 - Au moins deux personnes sont nécessaires pour déplacer et installer le réfrigérateur. Pour éviter que le réfrigérateur bascule, installez les supports anti-basculement (fournis). Le non-respect des consignes d'installation du réfrigérateur peut entraîner des blessures graves ou la mort.
- Pour réduire les risques d'incendie, de décharge électrique ou de blessures corporelles lors de l'utilisation de cet appareil, vous devez toujours suivre les précautions de sécurité de base, y compris celles qui suivent. Lisez toutes les consignes avant d'utiliser cet appareil.

Installation

- Ces appareils ne sont pas conçus pour être utilisés de manière non encastrée. Cela risquerait d'entraîner un basculement, des blessures corporelles ou des dommages matériels.
- N'installez pas le réfrigérateur près d'un poêle au gaz, d'un chauffe-eau ou de toute autre source d'inflammation qui pourrait éventuellement laisser échapper du gaz. N'installez pas l'appareil à la lumière directe du soleil. Installez-le dans un endroit bien ventilé.
- Assurez-vous que les dimensions de l'encastrement permettent une circulation d'air suffisante sur les côtés et à l'arrière de l'appareil. N'obstruez pas l'entrée d'air à l'avant. Le non-respect de ces consignes peut entraîner un dysfonctionnement de l'appareil.
- L'encastrement doit être fait de matériaux suffisamment solides pour éviter tout dommage au cours de l'installation et en cas d'utilisation fréquente.
- Les matériaux des armoires doivent être en mesure de résister à la chaleur et à l'humidité produites pendant le fonctionnement et l'utilisation de l'appareil, sans se tordre ni se déformer.
- Installez l'appareil sur une surface ferme et plane qui peut supporter le poids de l'appareil sans se plier. L'appareil doit être au niveau autant horizontalement que verticalement.
- Gardez les enfants éloignés de l'endroit où se déroule l'installation.
- N'utilisez pas de rallonge ou de barre d'alimentation avec cet appareil.
- N'installez pas le réfrigérateur dans un endroit humide ou dans un endroit où il serait exposé à l'eau courante. Une détérioration de l'isolement des pièces électriques pourrait survenir, entraînant un risque de décharge électrique.
- Branchez l'appareil à une source d'eau potable seulement. De l'eau non potable peut causer des problèmes de santé.
- Lorsque vous placez l'appareil, veillez à ce que le cordon d'alimentation ne soit pas coincé ou endommagé.
- Ne placez pas de prises de courant multiples ou de blocs d'alimentation portables à l'arrière de l'appareil.

Branchement électrique

- **En cas de branchement sur un circuit protégé par des fusibles, utilisez un fusible à retardement.**
- **Utilisez une prise de courant dédiée.**
 - Le branchement de plusieurs appareils sur une seule prise de courant peut provoquer un incendie.
- **Branchez la fiche d'alimentation en orientant le cordon d'alimentation vers le bas.**
 - Le non-respect de cette consigne peut endommager la fiche ou le cordon, ce qui peut entraîner un incendie ou une décharge électrique.

4 CONSIGNES DE SÉCURITÉ IMPORTANTES

- **Lorsque vous installez ou que vous déplacez le réfrigérateur, soyez prudent et évitez d'écraser le cordon d'alimentation ou de l'endommager. Ne coincez pas ou n'écrasez pas le cordon ou la fiche lorsque vous poussez le réfrigérateur.**
 - Cela pourrait entraîner un incendie ou une décharge électrique.
- **Évitez de plier, d'écraser ou d'endommager le cordon d'alimentation. Ne laissez pas le cordon d'alimentation sous des objets lourds comme des meubles, d'autres appareils ou dans des endroits très passants.**
 - Cela pourrait endommager le cordon d'alimentation et entraîner un incendie ou une décharge électrique.
- **Ne rallongez pas ou ne modifiez pas le cordon d'alimentation.**
 - Utilisez seulement une pièce de rechange d'origine identique pour éviter de causer des problèmes électriques, un incendie ou une décharge électrique.
- **Coupez l'alimentation avant de nettoyer ou de déplacer le réfrigérateur.**
 - Le non-respect de cette consigne peut entraîner une décharge électrique ou des blessures.
 - Appuyez sur la touche MARCHE/ARRÊT pendant trois secondes pour couper l'alimentation du panneau d'affichage.
- **Ne débranchez pas le cordon d'alimentation et ne touchez pas à la fiche d'alimentation si vos mains sont mouillées.**
 - Cela peut entraîner une décharge électrique ou des blessures.
- **Enlevez l'eau et la poussière de la fiche d'alimentation et insérez-la correctement dans la prise murale.**
 - La poussière, l'eau ou un mauvais branchement peut entraîner un incendie ou une décharge électrique.
- **Ne débranchez pas le réfrigérateur en tirant sur le cordon d'alimentation.**
 - Cela pourrait entraîner une décharge électrique ou un court-circuit provoquant un incendie.
- **N'utilisez pas le cordon d'alimentation ou la fiche d'alimentation s'ils sont endommagés ou si la prise est endommagée.**
 - Cela pourrait entraîner une décharge électrique ou un court-circuit provoquant un incendie.
- **Attendez au moins 5 minutes lorsque vous rebranchez la fiche ou que vous rétablissez le courant.**
 - Donnez le temps au compresseur d'effectuer un cycle complet avant de redémarrer.
- **Si le cordon d'alimentation est endommagé, il doit être remplacé par le fabricant, son agent d'entretien ou une personne ayant les mêmes compétences, et ce, afin d'éviter tout risque.**

MISES EN GARDE

- **Ne mettez pas vos mains sous le réfrigérateur.**
 - Les bords coupants, les ventilateurs et les fils peuvent causer des blessures.
- **Conservez ces consignes afin que l'inspecteur local puisse les consulter.**
- **Respectez tous les codes et règlements en vigueur.**
- **Installateur : Remettez ce feuillet de consignes au propriétaire.**
- **Propriétaire : Gardez ce feuillet de consignes avec le manuel d'utilisation à des fins de consultation ultérieure.**

Général

Ces consignes d'installation sont destinées à des installateurs qualifiés. Tous les branchements et les raccordements pour l'eau, l'alimentation électrique et la mise à la terre doivent être conformes aux codes et aux règlements locaux et être faits par un personnel autorisé en cas de besoin. En l'absence d'un code local :

CONSIGNES DE SÉCURITÉ IMPORTANTES 5

- Aux États-Unis, conformément au National Electric Code, ANSI/NFPA70 (dernière édition) – Codes étatiques et municipaux ou codes locaux.
- Au Canada, conformément à la norme C22.1 du Code canadien de l'électricité (dernière édition) – Codes provinciaux et municipaux ou codes locaux.

FRANÇAIS

GARDEZ CES CONSIGNES

6 INSTALLATION

INSTALLATION

Avant l'installation

⚠ AVERTISSEMENT

- N'entreposez pas ou n'installez pas l'appareil dans un endroit où il serait exposé :
 - aux intempéries
 - aux dégâts d'eau
 - à des températures inférieures à 32 °F (0 °C)

Choix de l'emplacement d'installation

Température et humidité

- L'appareil doit être installé dans un endroit sec et bien ventilé.
- La température ambiante doit se situer entre 55 °F (13 °C) et 110 °F (43 °C), afin d'éviter les dysfonctionnements.
- N'installez pas l'appareil à un endroit où il sera exposé à la lumière directe du soleil ou près d'une source de chaleur, comme un four ou un radiateur.

Dispositifs anti-basculement

⚠ AVERTISSEMENT

- Risque de basculement
 - L'appareil est très lourd et peut basculer si la porte est ouverte avant que l'appareil soit correctement installé.
 - Installez les supports anti-basculement fournis pour empêcher l'appareil de basculer. La méthode la plus sécuritaire pour installer l'appareil dans une position stable est d'utiliser les dispositifs anti-basculement fournis.
 - N'ouvrez pas la porte de l'appareil à moins qu'il soit encore sur la palette ou que les supports anti-basculement soient enclenchés.
- Si l'encastrement est suffisamment robuste, la fixation de l'appareil aux parois supérieures et latérales de l'encastrement peut fournir une stabilité supplémentaire, à condition que l'encastrement soit bien fixé à la paroi arrière. En cas de doute, contactez un architecte ou un ingénieur en structures.

Encastrement

- L'encastrement entier, y compris le panneau supérieur, doit être fait d'un matériau solide (pas un panneau MDF) d'au moins 5/8 po (16 mm) d'épaisseur.
- Les parois latérales de la cavité ou de l'encastrement doivent être alignées.
- Un espace de 4 pouces (100 mm) à l'avant de la surface intérieure (retour de meubles) sera visible lorsque les portes seront ouvertes. Assurez-vous que cette zone est finie jusqu'à au moins 4 pouces de profondeur.
- Pour vous garantir une installation sans problème, suivez les consignes pour installer l'appareil dans l'encastrement.
- Il est très important que l'encastrement ne soit pas hors d'équerre. Utilisez un niveau à bulle ou mesurez les diagonales de l'ouverture pour vous assurer que les coins sont carrés.
- L'appareil est fixé sur les côtés et le dessus de l'encastrement ou des armoires adjacentes. Assurez-vous que l'encastrement ou les armoires adjacentes sont adéquatement fixés au plancher ou au mur.

Plancher

⚠ AVERTISSEMENT

- Le plancher de la zone d'installation doit être ferme, droit et rigide pour assurer une installation sécuritaire et un rendement optimal.
- N'installez pas l'appareil sur une plateforme ou une structure surélevée.
- La structure en dessous de l'appareil doit pouvoir supporter le poids de l'appareil sans basculer ni fléchir.
- Pour un rendement optimal et afin d'éviter les fuites, mettez l'appareil à niveau.

Exigences électriques

⚠ AVERTISSEMENT

- Risque de décharge électrique
 - Branchez l'appareil sur une prise à trois trous mise à la terre.
 - N'enlevez pas la broche de mise à la terre.
 - N'utilisez pas d'adaptateur.

- N'utilisez pas de rallonge.
- Le non-respect de ces consignes peut entraîner la mort, un incendie ou une décharge électrique.
- Respectez tous les codes étatiques et locaux ou le NEC.
- L'appareil est doté d'un cordon d'alimentation à trois fils certifié UL.
- L'appareil nécessite une prise à trois fils.
- La prise doit être installée par un électricien autorisé seulement.

la plaque avant inférieure doit être alignée avec le centre de l'appareil.

Mise à la terre

Cet appareil doit être mis à la terre. En cas de dysfonctionnement ou de panne, la mise à la terre réduira le risque de décharge électrique en fournissant au courant électrique un chemin de moindre résistance.

⚠ AVERTISSEMENT

- Un raccordement incorrect du conducteur de mise à la terre de l'appareil peut entraîner une décharge électrique. Faites vérifier l'appareil par un électricien ou un technicien d'entretien qualifié si vous avez un doute à savoir si l'appareil est correctement mis à la terre.

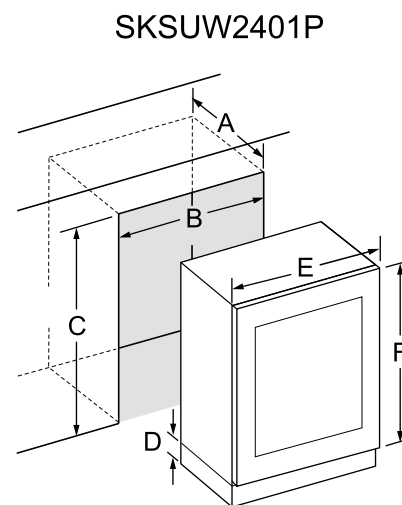
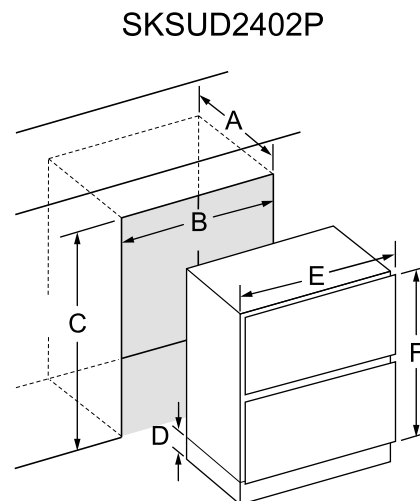
REMARQUE

- Certaines réglementations locales peuvent exiger une mise à la terre séparée. Dans de tels cas, le fil, le collier et la vis de mise à la terre sont vendus séparément sous forme d'accessoire.
- Ne mettez jamais l'appareil à la terre en utilisant des conduites de plomberie en plastique, des conduites de gaz ou des canalisations d'eau.

Dimensions de découpe

⚠ MISE EN GARDE

- Le support anti-basculement doit être fermement fixé à un mur en béton ou en bois d'une résistance d'au moins 15 t, ou à un mur de résistance équivalente. (La structure sur laquelle le support est fixé doit être une structure solide pouvant résister à une force d'au moins 70 kgf.)
- Avant d'installer l'appareil, vérifiez que l'encastrement est de la bonne taille. Pour que l'appareil fonctionne correctement, l'encoche de



-	SKSUD2402P	SKSUW2401P
A	≥24 po (610 mm)	
B	≥24 po (610 mm)	
C	≥34 1/2 po (876 mm)	
D	4 po (101 mm)	
E	23 11/16 po (602 mm)	
F	30 5/16 po (770 mm)	

- Un retour fini d'au moins 4 po (101 mm) correspondant à l'extérieur de l'armoire est recommandé sur tous les côtés et le haut de l'ouverture de découpe. La zone ombragée sera visible après l'installation.

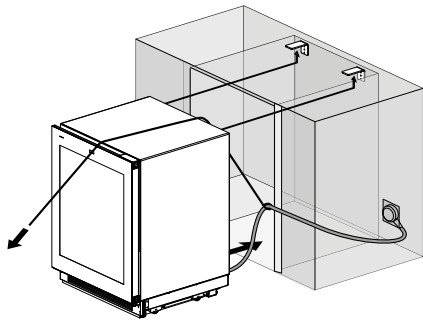
8 INSTALLATION

Installation électrique

- Une alimentation électrique de 115 V, 60 Hz et 15 A est nécessaire. Un circuit de dérivation ou un disjoncteur correctement mis à la terre est recommandé. Installez une prise de courant à trois trous encastrée dans le mur du fond. L'installation électrique doit être située sur la paroi arrière, comme il est illustré.
- Lorsque vous installez un seul produit, utilisez une seule prise.

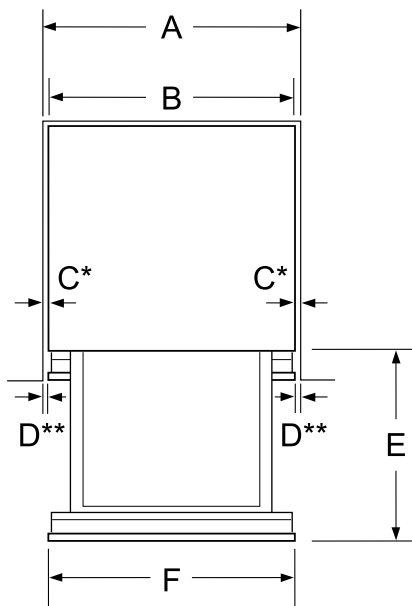
REMARQUE

- L'utilisation d'un DDFT (disjoncteur différentiel de fuite à la terre) n'est pas recommandée.



Dégagements pour l'installation

Modèle : SKSUD2402P

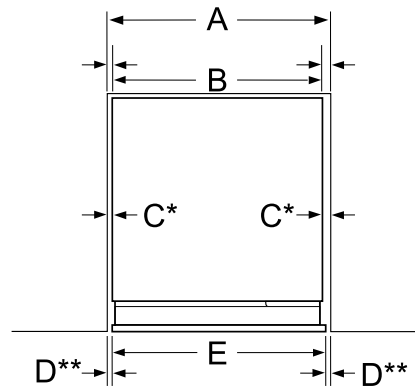


* Dégagement latéral à la hauteur de l'armoire

** Dégagement latéral à la hauteur du panneau avant

-	Dimensions et dégagements
A	≥24 po (610 mm)
B	23 7/16 po (595 mm)
C	5/16 po (7,5 mm) min.
D	3/16 po (4 mm)
E	18 po (457 mm) avec le panneau
F	23 11/16 po (602 mm) avec le panneau

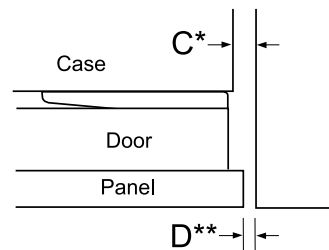
Modèle : SKSUW2401P

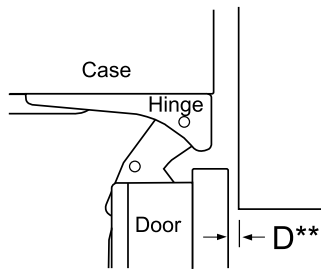
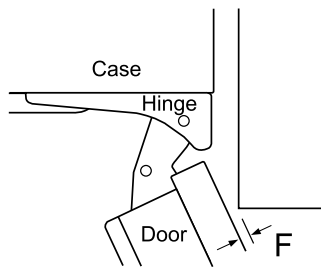


* Installation de la charnière à droite illustrée. Lorsque vous inversez la porte, les dégagements latéraux de la charnière et de la poignée s'inversent également.

** Dégagement latéral à la hauteur du panneau avant

Vue de dessus (porte fermée)



Vue de dessus (porte ouverte à 90°)**Vue de dessus (porte ouverte à 115°)**

-	Dimensions et dégagements
A	≥24 po (610 mm)
B	23 7/16 po (595 mm)
C	Côté de la poignée 1/8 po (2,5 mm) min. Côté de la charnière 1/2 po (12,5 mm) min.
D	3/16 po (4 mm)
E	23 11/16 po (602 mm) avec le panneau
F	1/4 po (6,5 mm)

REMARQUE

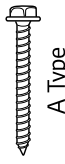



- Dégagements pour l'ouverture de la porte
 - L'installation doit prévoir des dégagements pour les murs adjacents ou les armoires. Ce refroidisseur à vin est doté d'une butée de porte à deux positions. L'ouverture de porte à 115° réglée en usine peut être réglée à 90° si le dégagement entre l'appareil et les armoires ou les murs adjacents est limité.
- Dégagements de la poignée de porte
 - La profondeur de la poignée de porte doit être ajoutée à la dimension de l'appareil à l'endroit indiqué afin de déterminer les dégagements totaux nécessaires pour les armoires ou les murs adjacents. Ce dégagement peut varier en

fonction de la poignée personnalisée utilisée. Lorsque vous utilisez l'ensemble de panneau de porte en acier inoxydable comprenant une poignée, le dégagement de la poignée de porte lorsque la porte est ouverte à 115° est de 11 3/4 po (298 mm).

FRANÇAIS

Accessoires et outils requis**Accessoires****Accessoires fournis**

- Consignes d'installation
- Consignes de fonctionnement
- Ensemble d'installation

Vis	Dimensions	No	Utilisé pour
 A Type	5H x 4 5L	6	Support anti-basculement
 B Type	4D x 1 4L	10	Support anti-basculement (6) Encastrement (4)
 C-1 Type	4D x 6 L	4	Encastrement
 C-2 Type	4D x 1 2L	12	Panneau de porte

REMARQUE

- En plus de la quantité requise pour l'installation de l'appareil, des vis de rechange peuvent être fournies.

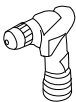
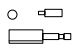
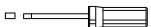

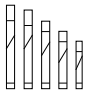

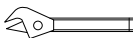
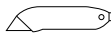

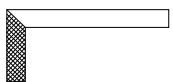
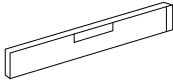
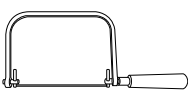
Autres

- Diable, chariot de manutention
- Marteau-perforateur pour percer des trous dans le mur ou le plancher.
- Mèches de différentes tailles pouvant percer les matériaux utilisés
- Vis à bois de différentes tailles
- Fine feuille de contreplaqué, panneau mince d'aggloméré de bois ou carton mince pour protéger le plancher contre les dommages

10 INSTALLATION

- Matériau approprié pour couvrir et protéger les meubles (p. ex., des draps protecteurs)
- Ruban adhésif

Outils

	Visseuse sans fil
	Embout Torx T20 et T30 et aimant de retenue
	Tournevis Torx T20 et T30
	Tournevis hexagonal de 3/8 po (10 mm)
	Diverses mèches
	Pince multiprise
	Clé à molette
	Couteau à lame ajustable
	Mètre à ruban métallique, règle pliante
	Équerre
	Niveau, longueur de 2 po (60 cm) et de 4 po (1,2 m)
	Scie pour couper les moulures du haut (pour installation après-coup seulement)

Dimensions de l'appareil

Les consignes d'installation suivantes décrivent les étapes d'installation pour différents types d'appareils.

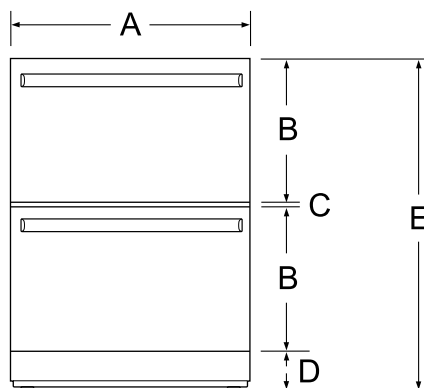
Les diagrammes peuvent être une représentation générale de votre appareil.

Une référence particulière est faite pour les étapes d'installation propres à chaque type d'appareil.

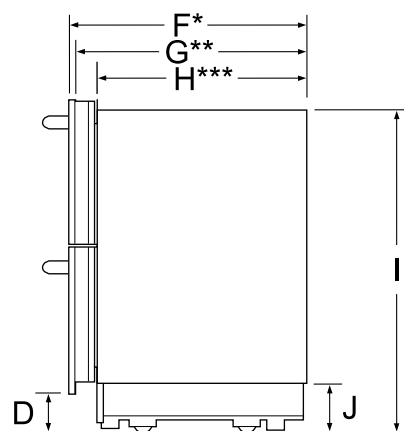
Dimensions de l'appareil

Modèle : SKSUD2402P

- Vue de face



- Vue de côté



* Profondeur avec le panneau de tiroir de 3/4 po (19 mm)

** Profondeur avec les tiroirs (sans le panneau)

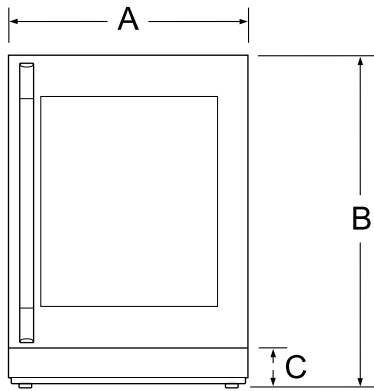
*** Profondeur de l'appareil sans les tiroirs

-	Dimensions
A	23 11/16 po (602 mm) avec le panneau 23 7/16 po (595 mm) sans le panneau
B	15 po (381 mm)
C	1/4 po (7 mm)
D	4 po (101 mm)
E	34 1/4 po (870 mm) min. 34 5/8 po (880 mm) max.
F	23 1/4 po (590 mm)

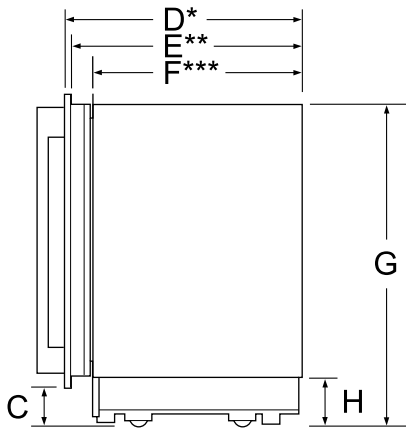
-	Dimensions
G	22 1/2 po (571 mm)
H	20 1/2 po (520 mm)
I	33 3/16 po (843 mm) min. 33 9/16 po (853 mm) max.
J	5 po (128 mm)

Modèle : SKSUW2401P

- Vue de face



- Vue de côté



* Profondeur avec le panneau de tiroir de 3/4 po (19 mm)

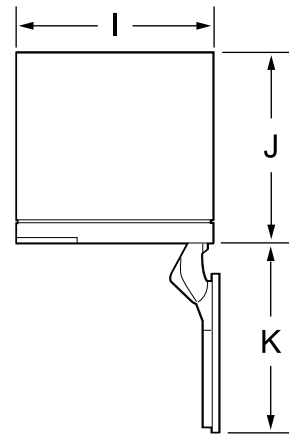
** Profondeur avec la porte (sans le panneau)

*** Profondeur de l'appareil sans la porte

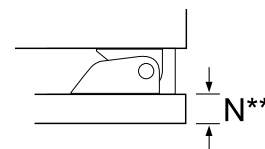
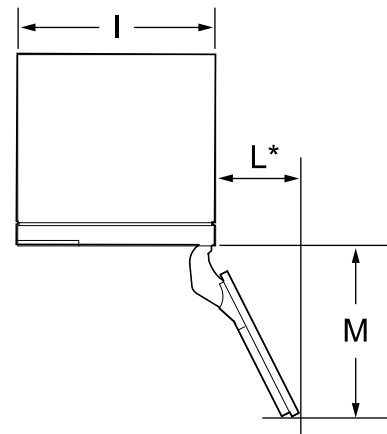
-	Dimensions
A	23 11/16 po (602 mm) avec le panneau
B	34 1/4 po (870 mm) min. 34 5/8 po (880 mm) max.

-	Dimensions
C	4 po (101 mm)
D	23 5/8 po (600 mm)
E	22 7/8 po (581 mm)
F	20 7/8 po (530 mm)
G	33 3/16 po (843 mm) min. 33 9/16 po (853 mm) max.
H	5 po (128 mm)

- Vue de dessus (porte ouverte à 90°)



- Vue de dessus (porte ouverte à 115°)



* La poignée de porte doit être ajoutée à cette dimension.

12 INSTALLATION

** Varie selon l'épaisseur du panneau d'armoire personnalisé. Les panneaux de porte de l'ensemble de panneaux en acier inoxydable SKS offert en option ont une épaisseur de 3/4 po (19 mm).

-	Dimensions
I	23 7/16 po (595 mm)
J	20 7/8 po (530 mm)
K	26 1/8 po (663 mm)
L	10 1/2 po (266 mm)
M	24 3/8 po (620 mm)
N	3/4 po (19 mm)

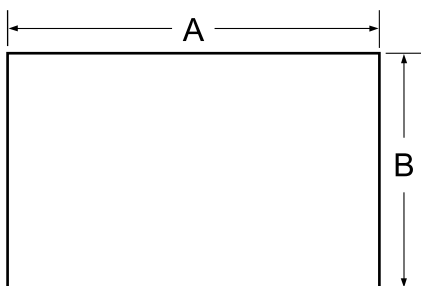
REMARQUE

- Cet appareil est conçu pour être personnalisé avec un panneau décoratif. Un panneau de porte personnalisé installé sur place ou un ensemble de panneaux en acier inoxydable offert en option est nécessaire.
- **Pour les panneaux personnalisés :** Utilisez les gabarits fournis avec les appareils pour prépercer les trous des supports de montage des panneaux (fournis avec l'appareil). Les vis de réglage et les consignes sont également fournies avec les appareils.

Dimensions du panneau personnalisé

Dimensions du panneau personnalisé de 3/4 po (19 mm) - Installation encastrée

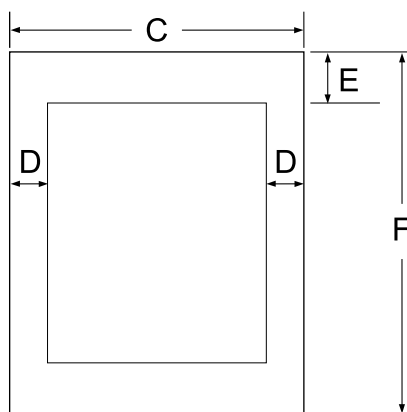
- Réfrigérateur à tiroir convertible de 24 pouces sous le comptoir



-	Dimensions
A	23 11/16 po (602 mm)
B	15 po (381 mm)

REMARQUE

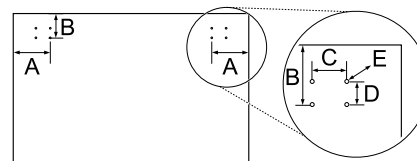
- Les dimensions des panneaux personnalisés sont les mêmes pour le tiroir supérieur et le tiroir inférieur.
- Réfrigérateur à vin de 24 po encastré sous le comptoir



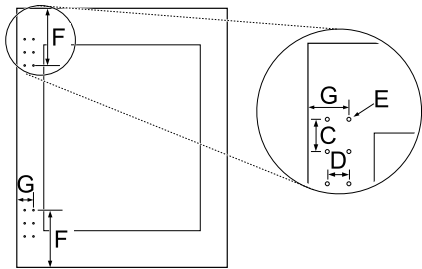
-	Dimensions
C	23 1/16 po (602 mm)
D	3 11/32 po (84,9 mm)
E	4 15/16 po (124,9 mm)
F	30 9/32 po (769 mm)

Dimensions d'installation de la poignée de porte SKS du panneau personnalisé

- Réfrigérateur à tiroir convertible de 24 pouces sous le comptoir



- Réfrigérateur à vin de 24 po encastré sous le comptoir



-	Dimensions
A	3 3/4 po (94,5 mm)
B	2 7/16 po (62,4 mm)
C	1 7/16 po (37 mm)
D	15/16 po (24,4 mm)
E	Φ 3/16" (4.8 mm)
F	7 po (178 mm)
G	1 1/4 po (57,9 mm)

Accessoires en option

- **SKSUK240DS – Ensemble de poignées et de panneaux en acier inoxydable pour réfrigérateur de 24 po sous le comptoir avec tiroirs**
 - Cet appareil peut être installé avec un ensemble de panneaux en acier inoxydable offert en option. L'ensemble comprend deux panneaux de tiroir et deux poignées.
- **SKSUK240WS – Ensemble de poignée et de panneau en acier inoxydable pour réfrigérateur à vin de 24 po sous le comptoir**
 - Cet appareil peut être installé avec un ensemble de panneau en acier inoxydable offert en option. L'ensemble comprend un panneau de porte et une poignée.
- **SKSHK230HS – Poignées pour utilisation avec panneau personnalisé**
 - Poignée moyenne en aluminium brossée de 578 mm (22 3/4 po)

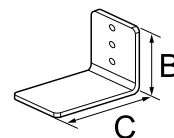
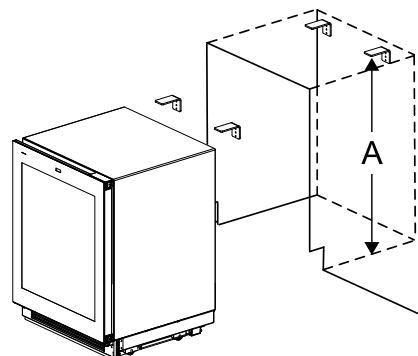
Déplacement de l'appareil dans l'encastrement

Installation des supports anti-basculement

⚠ AVERTISSEMENT

- Pour éviter les blessures ou les dommages, vérifiez la présence de fils électriques ou de tuyaux dans les murs avant d'utiliser des vis.
- Le support anti-basculement doit être fermement fixé à un mur en béton ou en bois d'une résistance d'au moins 15 t, ou à un mur de résistance équivalente. (La structure sur laquelle le support est fixé doit être une structure solide pouvant résister à une force d'au moins 70 kgf.)

Installez les supports anti-basculement à l'arrière de l'encastrement; fixez les supports en fonction de l'emplacement des poteaux de cloison, ainsi que des dimensions de l'appareil et de l'encastrement.



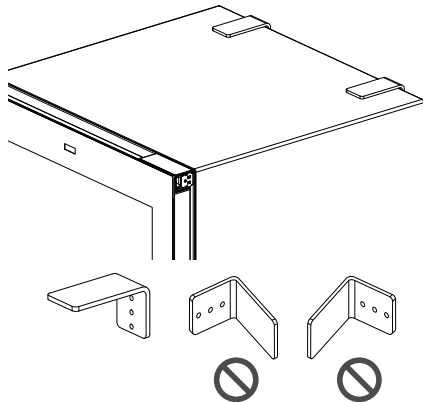
Anti-Tip Bracket x 2

-	Dimensions
A	33 3/16 po (843 mm) min. 33 9/16 po (853 mm) max.
B	2 3/8 po (60 mm)
C	3 3/4 po (90 mm)

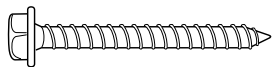
14 INSTALLATION

REMARQUE

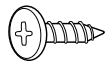
- Les supports doivent être fixés comme il est illustré ci-dessous. Les supports pourraient s'avérer inefficaces dans la prévention du basculement de l'appareil s'ils sont installés d'une autre façon.



- Utilisez des vis de type A ou B.
(Recommandation : mur en béton → type A;
mur en bois → type B)



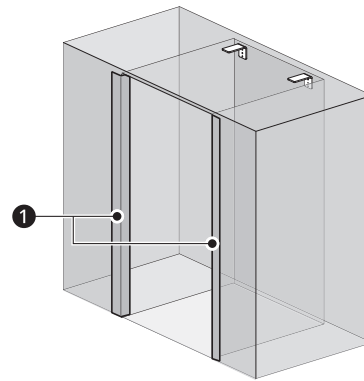
A Type



B Type

Protection des bords de l'encastrement

Afin de protéger les bords avant de l'encastrement, collez un carton mince ou un autre matériau de protection sur les bords.



- 1 Couvercle protecteur

Installation de l'appareil dans l'encastrement

⚠ AVERTISSEMENT

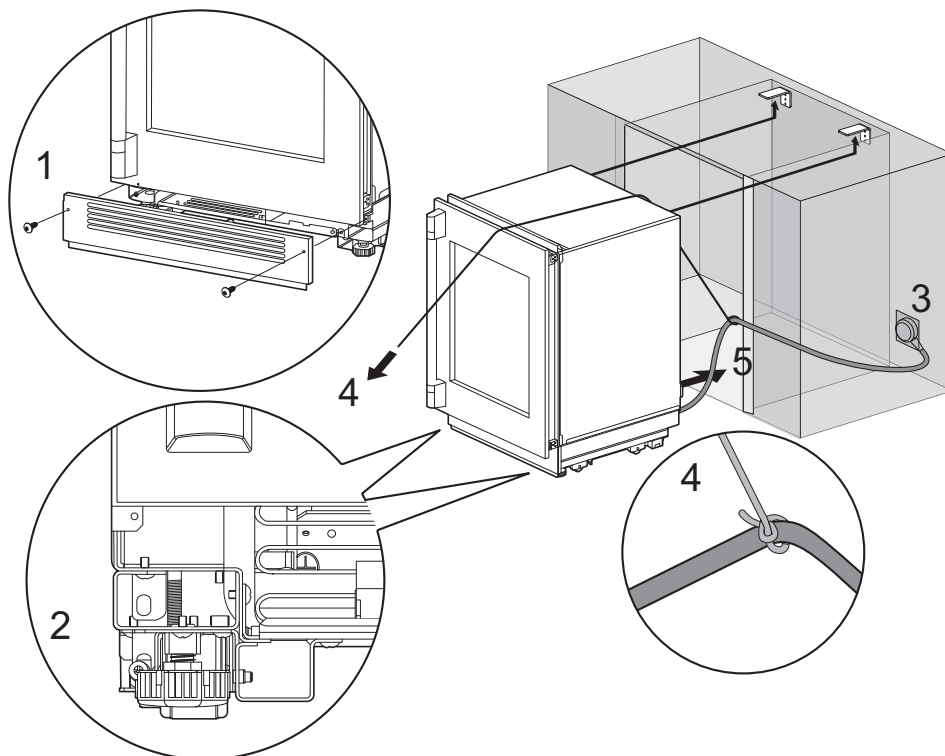
- Au moins deux personnes sont requises pour installer l'appareil. Soyez prudent lorsque vous déplacez l'appareil. Il est très lourd et a tendance à basculer lorsqu'il n'est pas fixé.

⚠ MISE EN GARDE

- Prenez soin de ne pas endommager la conduite d'eau ou le cordon d'alimentation lorsque vous mettez l'appareil en place dans l'encastrement.
- Avant de mettre l'appareil en place, fermez la porte et les tiroirs ou empêchez-les de s'ouvrir. Assurez-vous de protéger le revêtement de plancher.
- Utilisez un diable pour déplacer l'appareil à proximité de l'ouverture.
- Les pieds de mise à niveau avant sont abaissés au-dessous des roulettes avant pour améliorer la stabilité pendant la mise en place de l'appareil. Une fois que l'appareil est placé en face de l'ouverture, rentrez complètement les pieds de mise à niveau avant afin de pouvoir faire rouler l'appareil dans

l'encastrement. Les pieds de mise à niveau avant et arrière peuvent être ajustés depuis l'avant une fois que l'appareil est en place.

- Si l'appareil a été placé sur le dos ou le côté, il doit rester debout pendant au moins 24 heures avant la mise sous tension.
- Après la mise en place de l'appareil, assurez-vous que les supports anti-basculement sont correctement enclenchés.



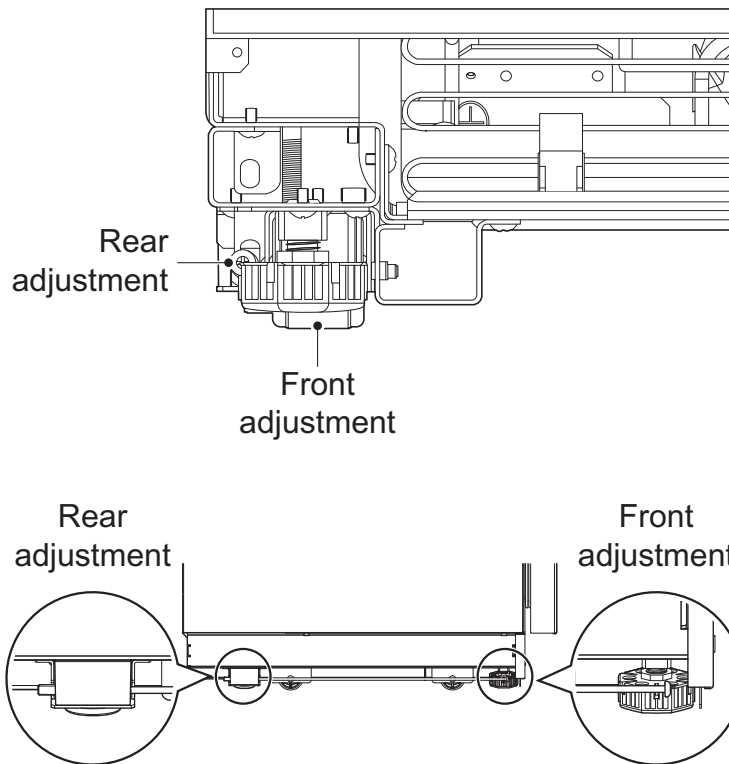
- 1** Retirez le panneau inférieur.
- 2** Rentrez les pieds de mise à niveau afin que l'appareil puisse rouler vers l'avant.
- 3** Branchez le cordon d'alimentation dans la prise électrique.
- 4** Attachez une longue ficelle au milieu du cordon d'alimentation. Placez la ficelle sur le dessus de l'appareil, tirez-la jusqu'à ce que le cordon d'alimentation soit à une bonne hauteur, puis collez la ficelle à l'avant de l'appareil avec du ruban adhésif pour que le cordon d'alimentation ne touche plus au sol. Ne pincez pas et ne coincez pas le cordon d'alimentation. Assurez-vous qu'il est toujours branché.
- 5** Poussez avec précaution l'appareil dans l'encastrement, en veillant à ne pas pincer le cordon d'alimentation ou la conduite d'eau en dessous ou derrière l'appareil.
- 6** Retirez la ficelle du cordon d'alimentation ainsi que la protection des bords de l'encastrement.

16 INSTALLATION

Mise à niveau et fixation de l'appareil

Alignement et mise à niveau de l'appareil

- Ajustement de la profondeur
 - Ajustez la profondeur de l'appareil dans l'encastrement de façon à ce que les panneaux de porte soient parfaitement encastrés dans les armoires adjacentes. Utilisez l'outil de jauge fourni pour assurer un positionnement précis.
- Ajustement de la hauteur
 - Les pieds de mise à niveau avant et arrière peuvent être tous les deux ajustés depuis l'avant de l'appareil.



- Nivellement
 - Une fois que l'appareil est correctement aligné dans l'encastrement, mettez-le à niveau à l'aide des pieds de mise à niveau avant et arrière.

- 1 Utilisez un tournevis cruciforme pour ajuster les pieds de mise à niveau avant et arrière jusqu'à ce qu'ils soient fermement en contact avec le sol.



- 2 Tournez les vis comme il est illustré ci-dessus pour soulever l'appareil. Tournez les vis dans le sens opposé pour abaisser l'appareil.

- 3 Assurez-vous que le poids du réfrigérateur repose sur les pieds, et non sur les roues.
- 4 Utilisez une application de mise à niveau pour téléphone intelligent ou placez un niveau de charpentier sur le dessus et les bords de l'appareil pour vérifier qu'il est à niveau et d'aplomb. Vous pouvez également utiliser l'outil de jauge fourni pour mesurer la distance du bord inférieur de l'appareil jusqu'au plancher à partir des coins avant.

⚠ AVERTISSEMENT

- Pour réduire la possibilité que l'appareil bascule vers l'avant, les pieds de mise à niveau avant doivent être en contact avec le sol.

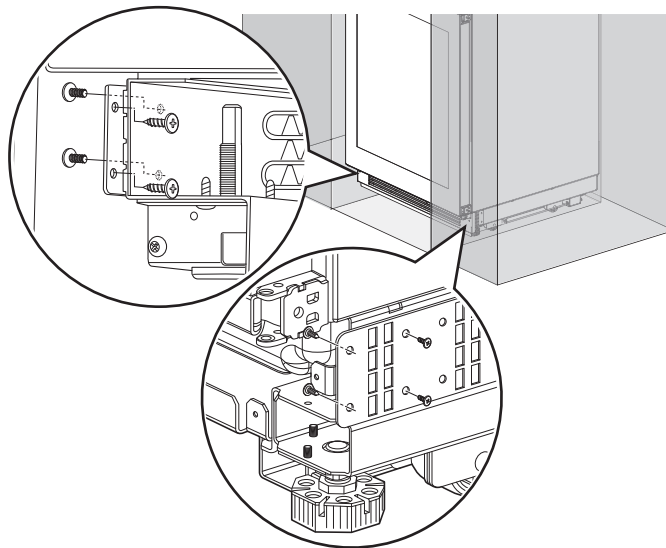
⚠ MISE EN GARDE

- Si vous utilisez une perceuse électrique, réglez le couple au plus bas.
- Laissez au moins 3/8 po (10 mm) entre la partie supérieure avant de l'appareil et la partie supérieure de l'encastrement pour intégrer la bande de remplissage supérieure.
- Pour le réglage de couple, ne dépassez pas 20 po-lb (2,25 Nm).
- Un ajustement de 20 tours correspond à une élévation de 1/16 po (2 mm).

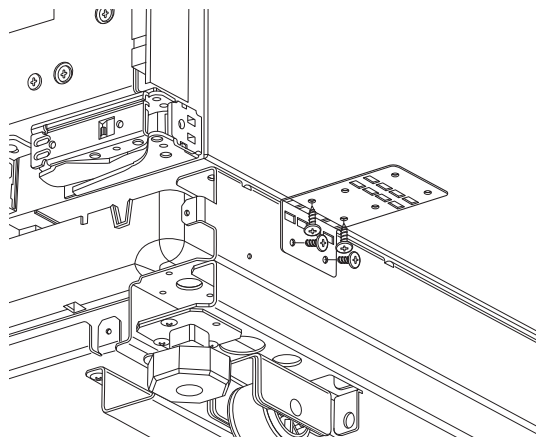
18 INSTALLATION

Fixation de l'appareil à l'encastrement

- Serrez le support de fixation latérale sur les côtés inférieurs gauche et droit de l'armoire à l'aide des vis de type B et de type C-1.
- Utilisez la vis de type B pour fixer le support à l'armoire et utilisez la vis de type C-1 pour fixer le support à l'appareil.



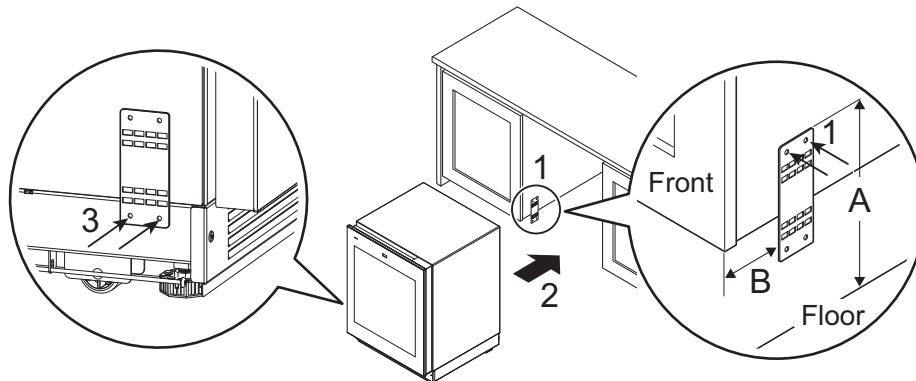
- S'il n'y a pas assez d'espace pour serrer la vis sur le côté près de la plinthe, fixez le support au bas de l'armoire adjacente.



- **Si le support de montage est d'abord fixé à l'armoire :**

- 1** Fixez le support à l'armoire à l'aide d'une vis de type B.
- 2** Insérez l'appareil, mettez-le à niveau avec l'armoire adjacente et fixez l'appareil en allongeant les pieds avant et arrière.

- 3** Après avoir fixé l'appareil, fixez le support au réfrigérateur à l'aide d'une vis de type C-1.

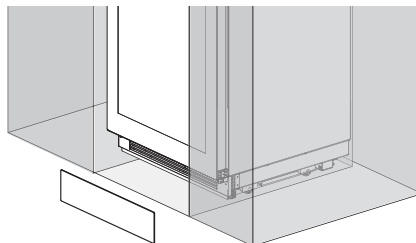


-	Dimensions
A	6 11/16 po (170 mm)
B	5 5/16 po (135 mm)

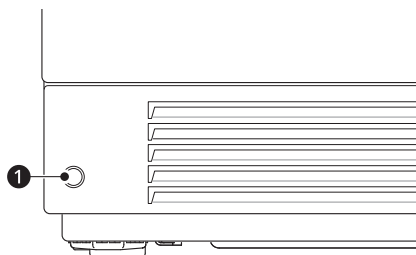
Fixation du panneau coup-de-pied

⚠ MISE EN GARDE

- Ne fermez pas l'orifice d'aération situé dans le couvercle inférieur de l'appareil.

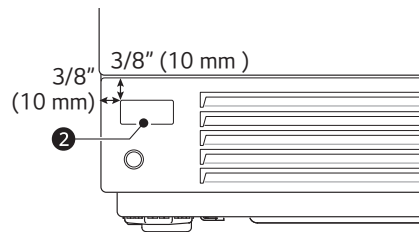


- 1** Utilisez une vis **1** pour fixer le couvercle inférieur à l'appareil.



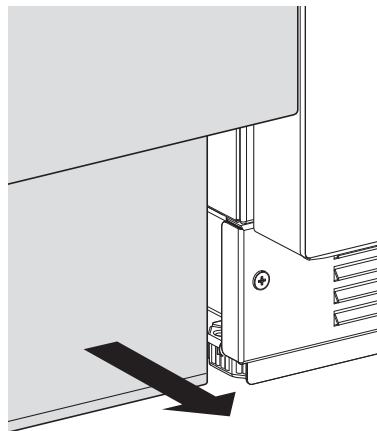
- 2** Fixez l'étiquette Smart Diagnosis **2** à l'endroit indiqué.

20 INSTALLATION

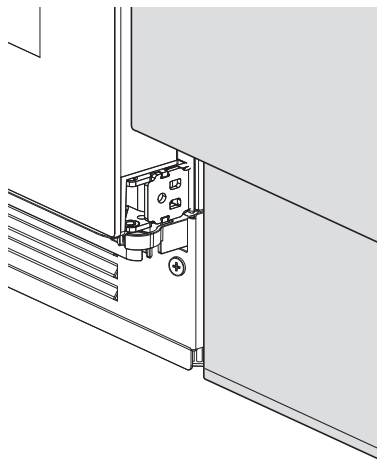


REMARQUE

- L'unité de transmission et de réception Wi-Fi est située sur la plinthe; la réception peut donc dépendre du matériau de la plinthe.
- Finition de l'installation de la plinthe
 - Si la position (profondeur depuis l'avant) de la plinthe de l'armoire est différente de celle de la plinthe de l'appareil, ajustez la plinthe de l'armoire afin qu'elle soit alignée avec la position de la plinthe de l'appareil.
- Ajustement de la plinthe
 - Tirez la plinthe de l'armoire vers l'avant et alignez-la avec la plinthe du réfrigérateur.



- Après l'ajustement de la plinthe



Panneaux et garniture

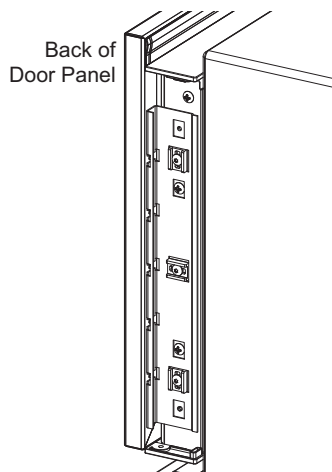
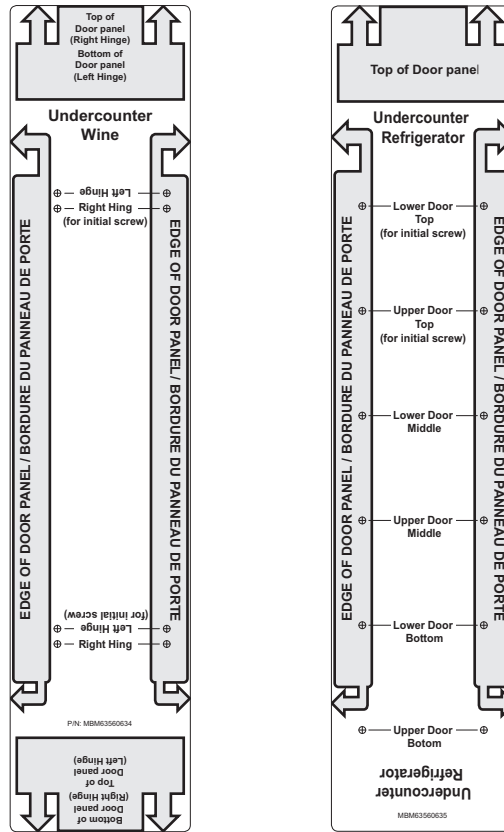
Installation des panneaux de porte

Le panneau de porte doit d'abord être installé, suivi du panneau de porte supérieur puis inférieur au besoin.

- 1** Placez le panneau de porte face vers le bas sur une surface protégée.
- 2** Trouvez le bon côté du gabarit du panneau de porte pour votre appareil et alignez le gabarit sur le haut et le côté gauche du panneau.
- 3** Utilisez le gabarit pour indiquer le bon emplacement des vis à l'arrière du panneau.
- 4** Faites glisser le gabarit vers la droite afin qu'il s'aligne sur le haut et le côté droit du panneau.
- 5** Utilisez le gabarit pour indiquer le bon emplacement des vis à l'arrière du panneau.
- 6** Dans le cas des réfrigérateurs/congérateurs en colonne, insérez une vis de 1/2 po no 8 dans le cinquième trou à partir du haut de chaque côté. Dans le cas des refroidisseurs à vin en colonne, insérez une vis dans le troisième trou à partir du haut. Arrêtez-vous lorsque les vis ressortent de 3/16 po (4 mm) du panneau. Elles serviront de vis de support lors de l'installation du panneau.

22 INSTALLATION

- 7 Insérez les vis de support dans les trous oblongs des supports de montage de porte de l'appareil afin que le panneau soit accroché sur la porte.



Mounting door panel

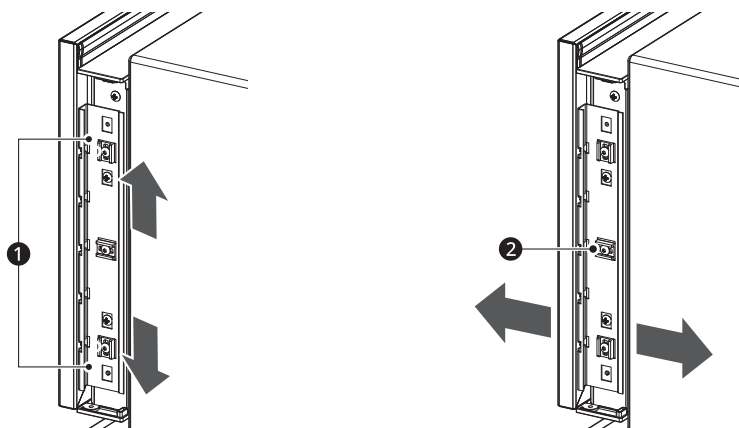
⚠ MISE EN GARDE

- Méfiez-vous des points de pincement lors de l'installation des panneaux de porte ou lorsque vous ouvrez ou fermez les portes.

Ajustement des panneaux de porte

Des ajustements de précision peuvent maintenant être faits pour aligner les panneaux de porte.

- 1 Pour ajuster le panneau de porte horizontalement, faites glisser les vis de support du panneau vers la gauche ou la droite dans les trous oblongs comme vous le souhaitez. Demandez à une autre personne de maintenir le panneau en place pendant que vous serrez les vis de support, puis insérez et serrez toutes les vis de montage restantes.
- 2 Pour ajuster le panneau de porte à la verticale ou d'avant en arrière, desserrez les vis du support de porte de l'appareil. Déplacez les rails en plastique pour faire des ajustements au besoin. Demandez à une autre personne de maintenir le support en place pendant que vous serrez toutes les vis de support.

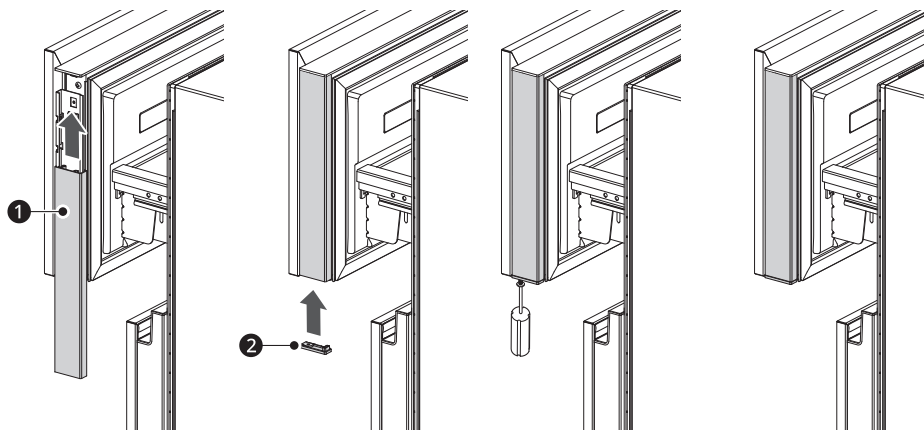


- 1 Ajustement de haut en bas
- 2 Ajustement de l'intérieur vers l'extérieur

Installation de la garniture de porte

Modèle : SKSUD2402P

- Après avoir ajusté les panneaux, installez la garniture décorative latérale sur les portes.
- Installez la garniture de porte avant de serrer le couvercle à l'aide des vis fournies.



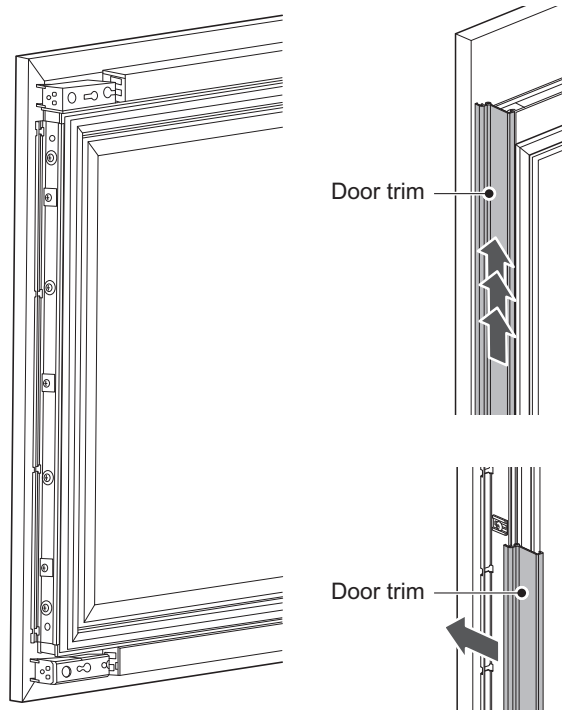
- 1 Garniture de porte

24 INSTALLATION

② Couvercle

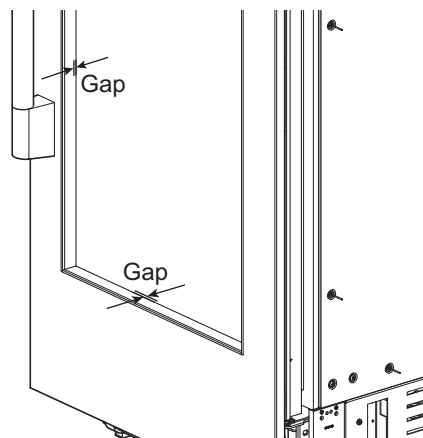
Modèle : SKSUW2401P

- Après avoir ajusté les panneaux, installez la garniture décorative latérale sur les portes.
- Pour l'installer, commencez par le centre et alignez la garniture avec les brides avant et arrière sur le support, puis mettez la garniture en place en la poussant vers l'arrière du panneau. Une fois que le centre de la garniture est fixé, continuez à l'installer vers le haut jusqu'à ce qu'elle soit complètement fixée.



REMARQUE

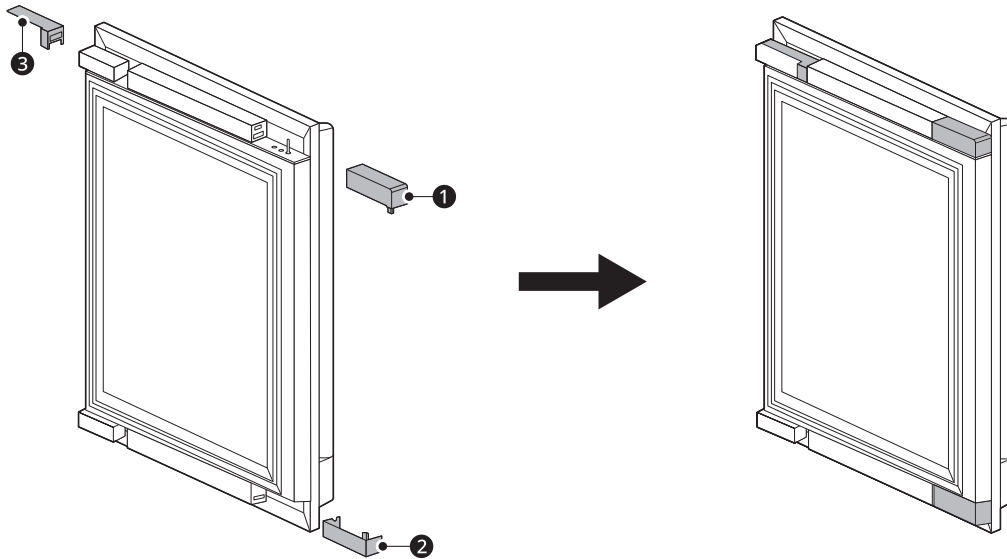
- Lors du réglage du panneau de porte du refroidisseur à vin, il restera un petit espace entre la surface de la porte en verre et la bride en plastique du panneau. C'est normal.



Installation de la garniture de la porte inférieure et de la porte supérieure (finition) du refroidisseur à vin

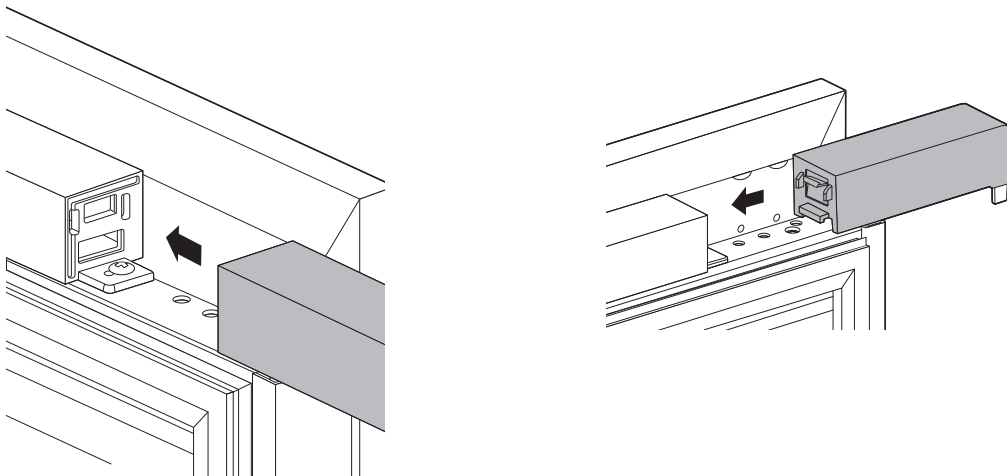
• Installation de la charnière droite

- Insérez les garnitures (finition) ❶ et ❸ sur les côtés gauche et droit du couvercle décoratif supérieur, et la garniture (finition) ❷ sur le côté gauche du couvercle décoratif inférieur, puis fixez-les.



REMARQUE

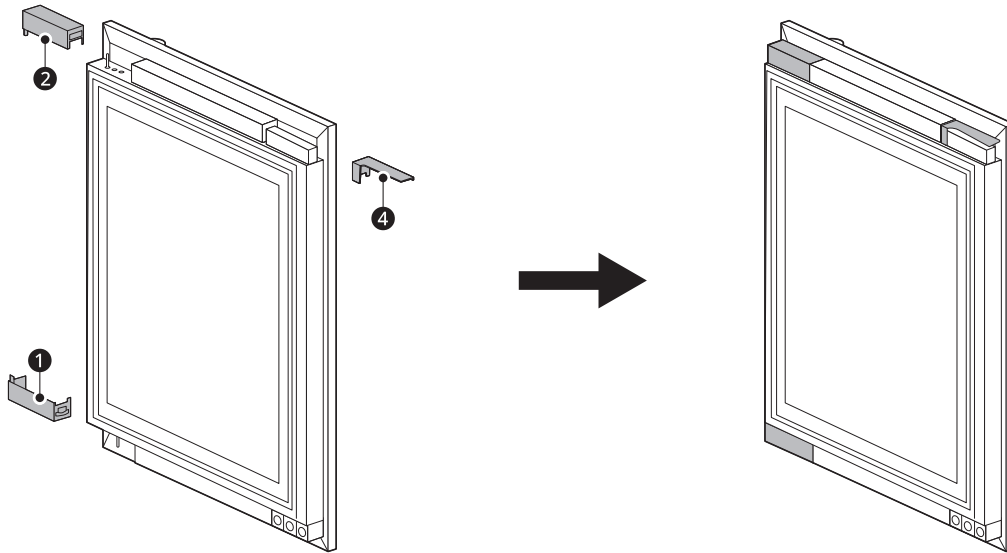
- Direction de l'insertion de la garniture

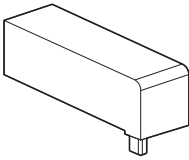
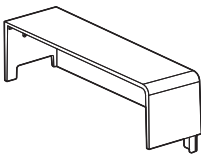
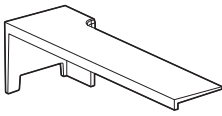
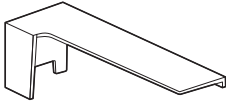


26 INSTALLATION

• Installation de la charnière gauche

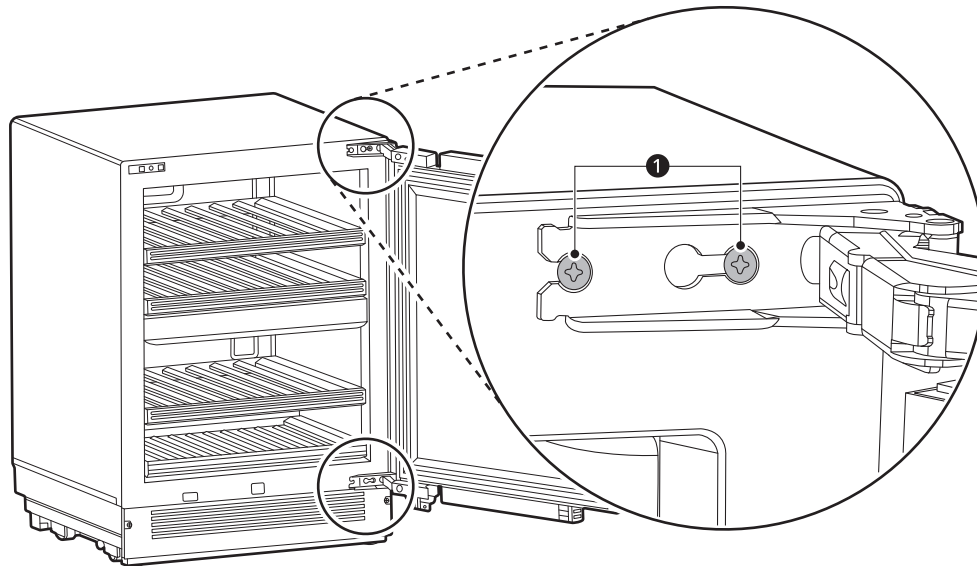
- Insérez les garnitures (finition) ② et ④ sur les côtés gauche et droit du couvercle décoratif supérieur, et la garniture (finition) ① sur le côté droit du couvercle décoratif inférieur, puis fixez-les.



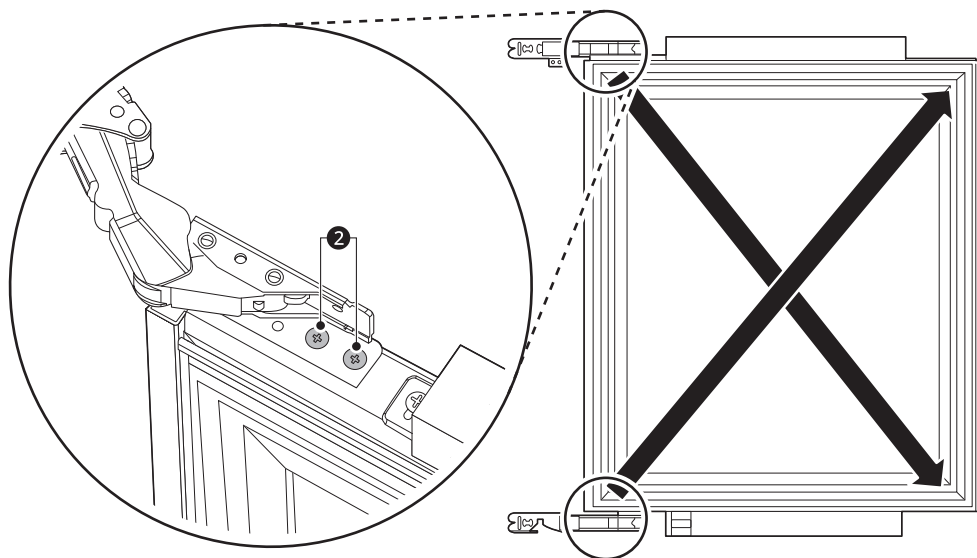
Garniture ①	Garniture ②	Garniture ③	Garniture ④
			

Inversion de la porte

- 1 Retirez les deux vis de montage ❶ en haut et en bas de la porte. Retirez la porte et déposez-la sur une surface protégée.

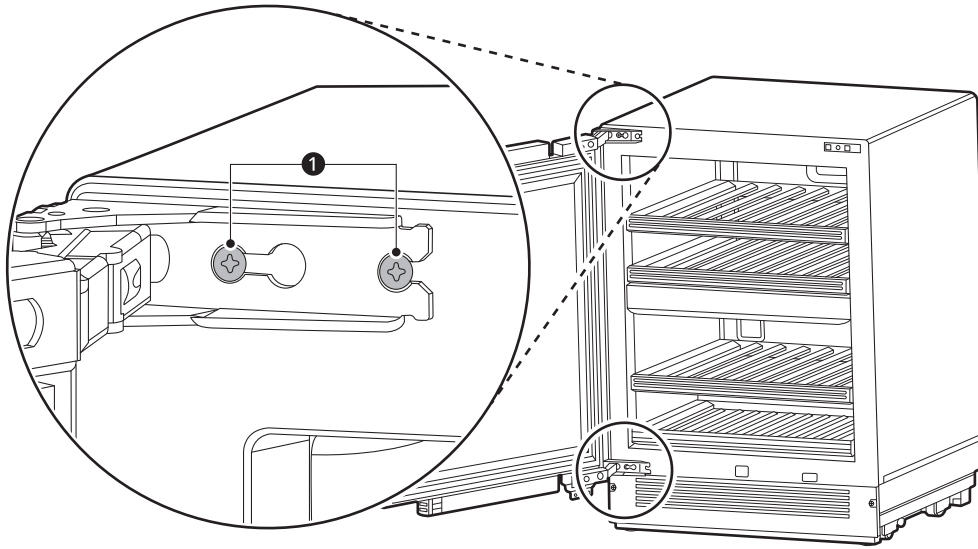


- 2 Sur la porte, retirez les 2 boulons ❷ de la charnière supérieure et installez la charnière sur le côté opposé, au bas de la porte. Sur la porte, retirez les 2 boulons ❷ de la charnière inférieure et installez la charnière sur le côté opposé, dans le haut de la porte.



- 3 Insérez deux vis ❶ en haut et en bas de la porte pour remettre la porte en place.

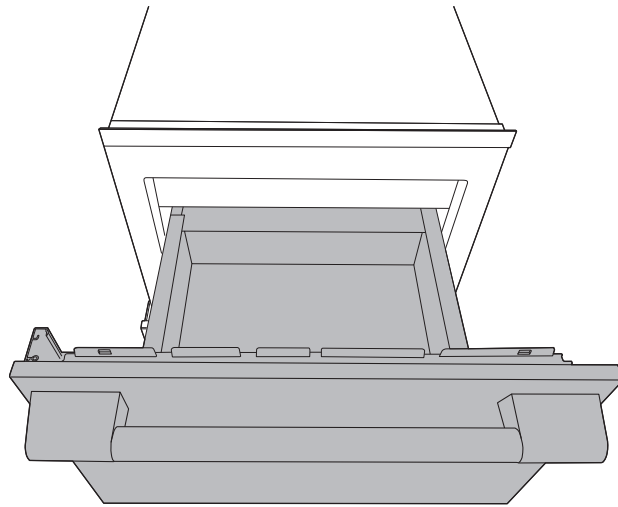
28 INSTALLATION



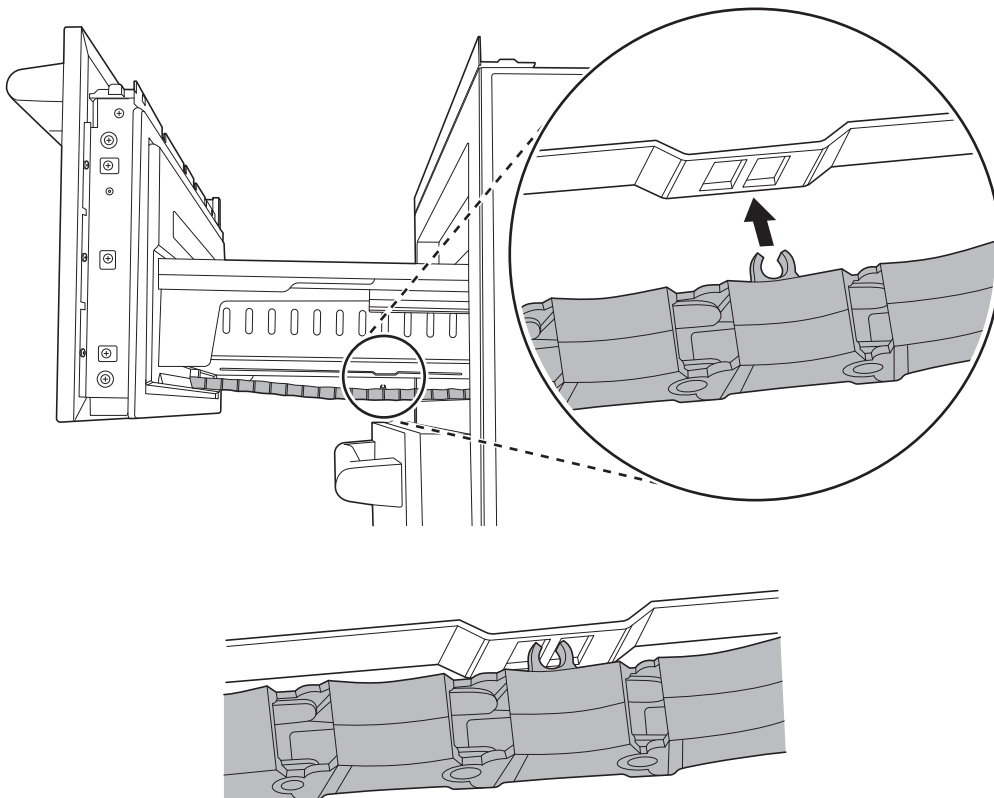
Insertion du lien d'assemblage

Modèle : SKSUD2402P

- 1 Après l'installation, ouvrez le tiroir supérieur et vérifiez que le lien d'assemblage est inséré dans le bas du tiroir.

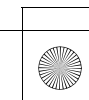
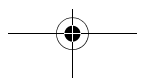
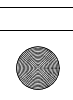
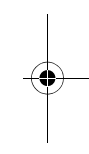


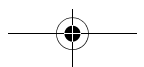
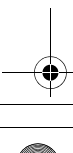
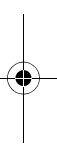
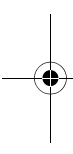
- 2 Si le lien d'assemblage n'est pas inséré, insérez-le dans le bas du tiroir.





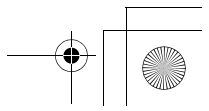
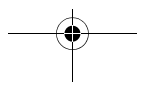
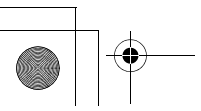
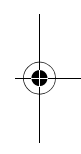
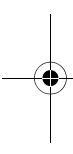
30 AIDE-MÉMOIRE

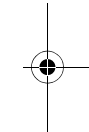






32 AIDE-MÉMOIRE





SKS

Customer Information Center

For inquiries or comments, call;

1-855-790-6655 USA, Consumer User

1-888-289-2802 CANADA, Consumer User

Centro de Información al Cliente

Para consultas o comentarios, llame por teléfono:

1-855-790-6655 EE.UU., Usuario Consumidor

1-888-289-2802 CANADÁ, Usuario Consumidor

Centre de Service à la Clientèle

Pour des questions ou des commentaires, appelez :

1-855-790-6655 ÉTATS-UNIS, Consommateur

1-888-289-2802 CANADA, Consommateur